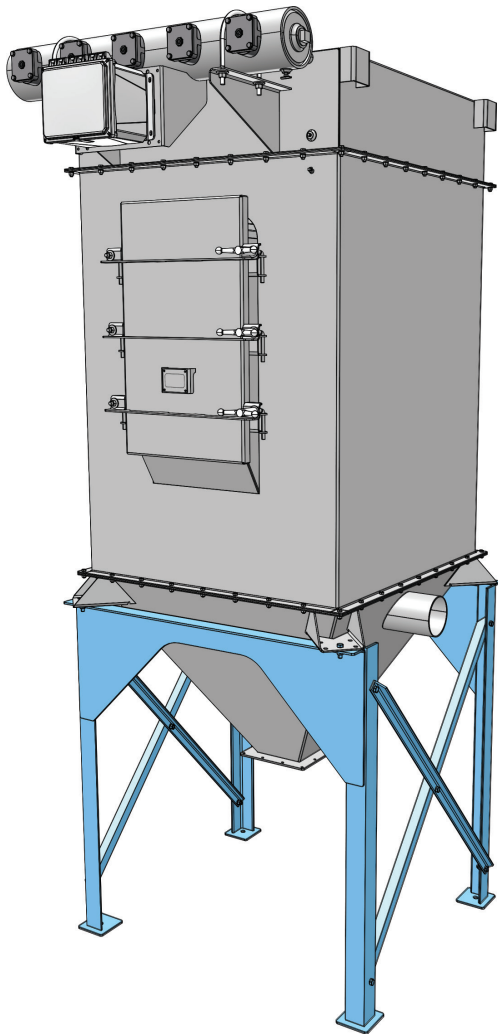


Air Vent Square (AVS/AVSC) Filter



PRODUCT OVERVIEW AND CONSTRUCTION

The AVS filter is a square filter typically used as a nuisance dust collector for heavy dustloads. During operation electronically timed compressed air is released into a row of filter bags. These air pulses dislodge the captured dust and allow the filter to clean itself without shutting down the operation. Coperion offers this filter in two styles: with and without a hopper.

Without the hopper (Style II) the filter is ideally suited as a bin vent filter for storage tanks, work bins, and surge hoppers.

With a 60° hopper (Style III) the filter receives dust through a hopper entry inlet or a high entry inlet and discharges the collected dust through an airlock for dust disposal or recycling.

KEY APPLICATIONS

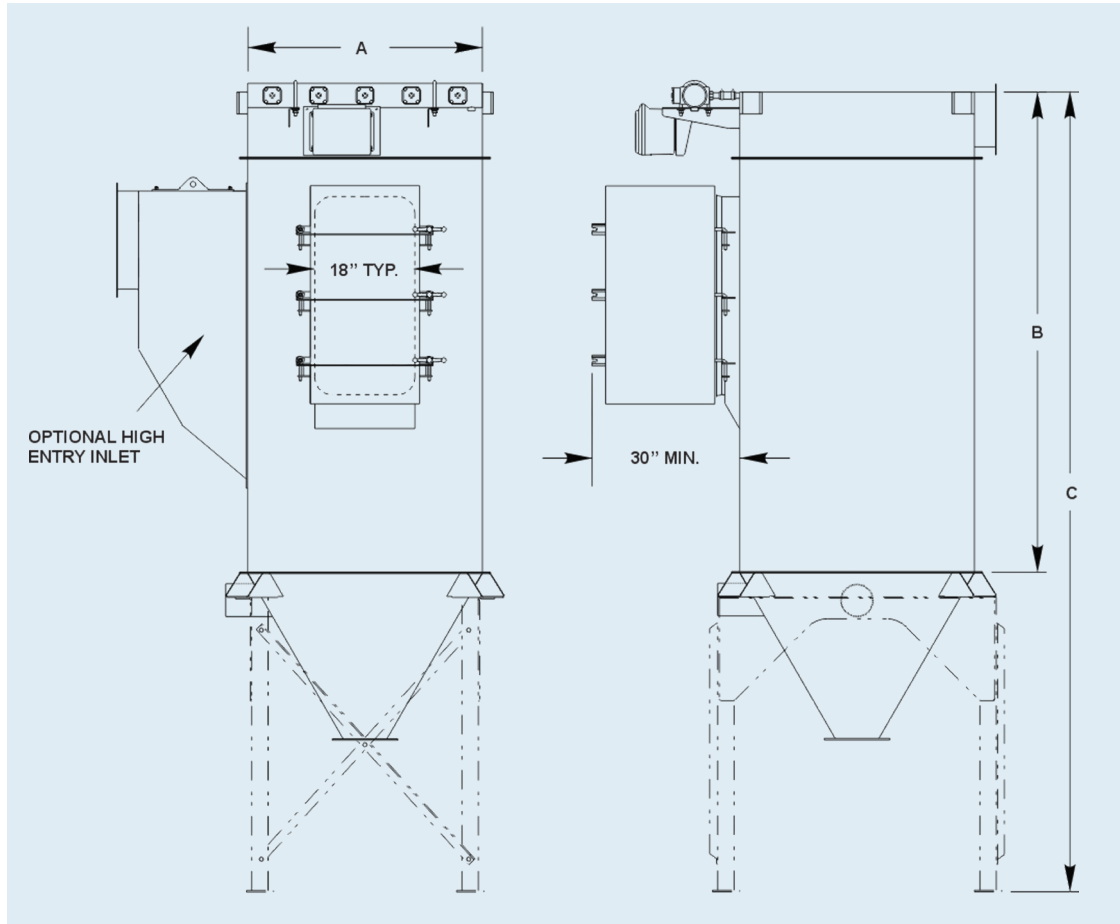
The AVS filter is equipped with bottom bag replacement through side doors, which makes it well suited for low headroom applications. The AVS can also be fitted with pleated cartridge media to improve efficiencies. When fitted with cartridges, the unit is designated as an AVSC.

SPECIFICATIONS

- Unit stressed for ± 762 mm [30"] W.C. and 3.7 PSI Pred.
- Standard temperature rating: 82 °C [180 °F]
Optional construction up to 204 °C [400 °F]
AVSC maximum temperature rating: 93 °C [200 °F]
- Carbon or stainless steel construction
- Full welded exterior and skip welded interior
- Optional high entry inlet with internal removable baffles
- Optional 70° hopper

Air Vent Square (AVS/AVSC) Filter

DIMENSIONS mm [in]



MODEL	CLOTH AREA SQ. M [SQ. FT]	NUMBER OF	A mm [in]	B mm [in]	C mm [in]
18AVS9	1.58 [17]	9	660 [26]	1222 [42.13]	2150 [84.63]
36AVS9	3.53 [38]			1324 [52.13]	2404 [94.63]
54AVS9	5.57 [60]			1781 [70.13]	2861 [112.63]
72AVS9	7.53 [81]			2238 [88.13]	3318 [130.63]
18AVS16	2.79 [30]	16	876 [34.5]	1070 [42.13]	2353 [92.63]
36AVS16	6.41 [69]			1324 [52.13]	2607 [102.63]
54AVS16	9.94 [107]			1781 [70.13]	3064 [120.63]
72AVS16	13.47 [145]			2238 [88.13]	3521 [138.63]
96AVS16	18.2 [196]	25	1092 [43]	2848 [112.13]	4131 [162.63]
18AVS25	4.46 [48]			1070 [42.13]	2556 [100.63]
36AVS25	10.03 [108]			1324 [52.13]	2810 [110.63]
54AVS25	15.52 [167]			1781 [70.13]	3267 [128.63]
72AVS25	21.09 [227]	36	1308 [51.5]	2238 [88.13]	3724 [146.63]
96AVS25	28.52 [307]			2848 [112.13]	4334 [170.63]
36AVS36	14.4 [155]			1324 [52.13]	3013 [118.63]
54AVS36	22.39 [241]			1781 [70.13]	3470 [136.63]
72AVS36	30.38 [327]	49	1524 [60]	2238 [88.13]	3928 [154.63]
96AVS36	41.06 [442]			2848 [112.13]	4537 [178.63]
36AVS49	19.6 [211]			1324 [52.13]	3216 [126.63]
54AVS49	30.47 [328]			1781 [70.13]	3674 [144.63]
72AVS49	41.34 [445]	64	1740 [68.5]	2238 [88.13]	4131 [162.63]
96AVS49	55.93 [602]			2848 [112.13]	4740 [186.63]
36AVS64	25.64 [276]			1324 [52.13]	3420 [134.63]
54AVS64	39.86 [429]			1781 [70.13]	3877 [152.63]
72AVS64	54.07 [582]	64	1740 [68.5]	2238 [88.13]	4334 [170.63]
96AVS64	73.02 [786]			2848 [112.13]	4944 [194.63]

Scheduled dimensions are for general information only. For specific dimensions, request a general dimension drawing.