



High Volume Bulk Bag Discharger Batching System

Application Details:

NBE CSO: E602060047 & 48

Material: Coffee Beans

Bulk Density: 38-40 lbs/ft³

Particle Size: 4-9 mm

Flowability: Free-Flowing

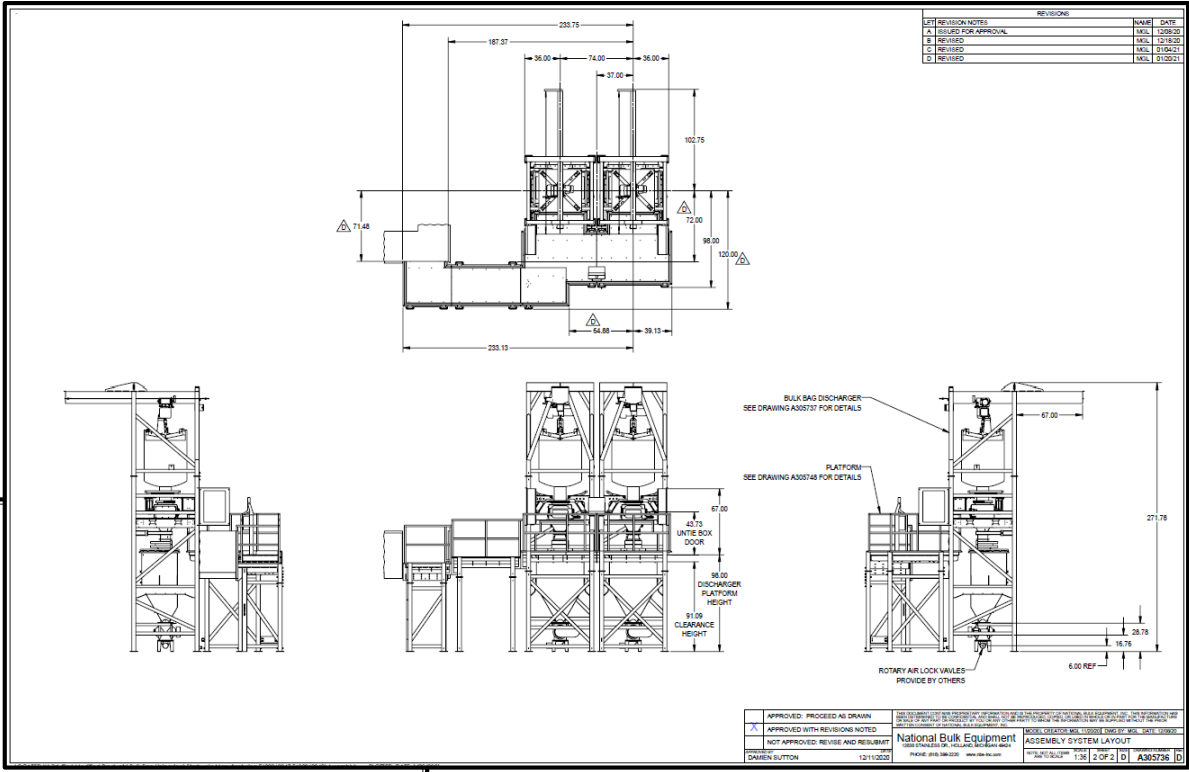
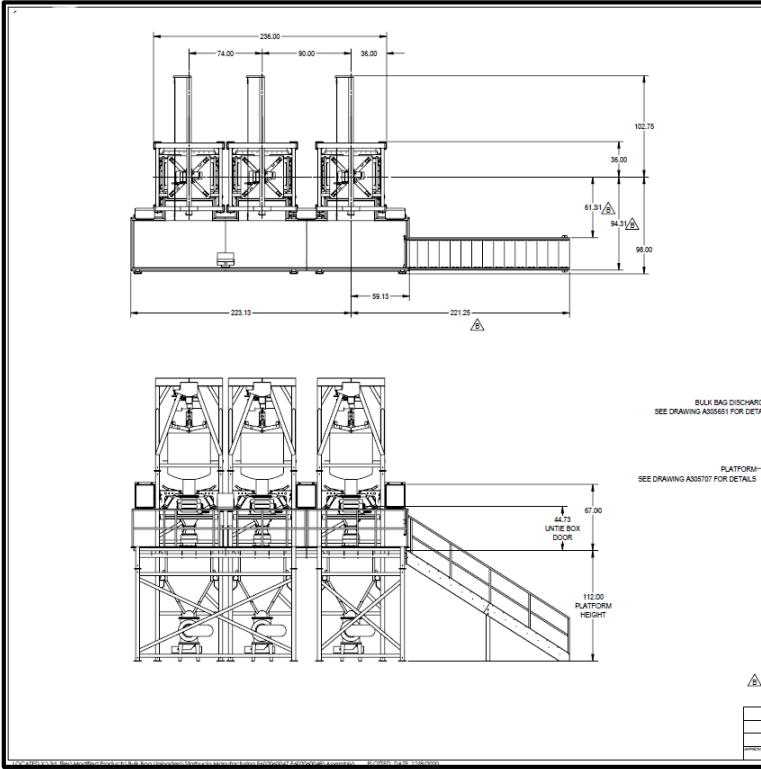
Area Classification: Class II Division 2

Customer Requested Rate: 66,000 lbs/hour / 3 Bulk Bag Dischargers

Clean Procedure: Dry Wipe

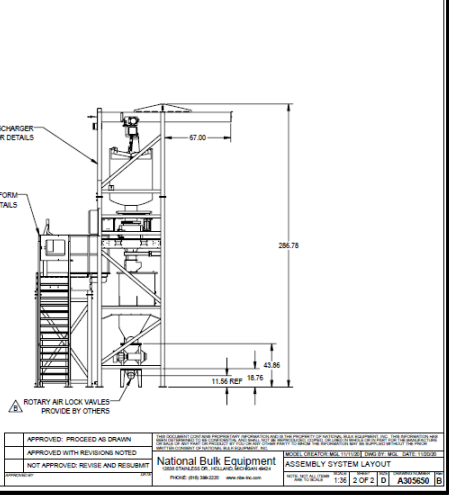
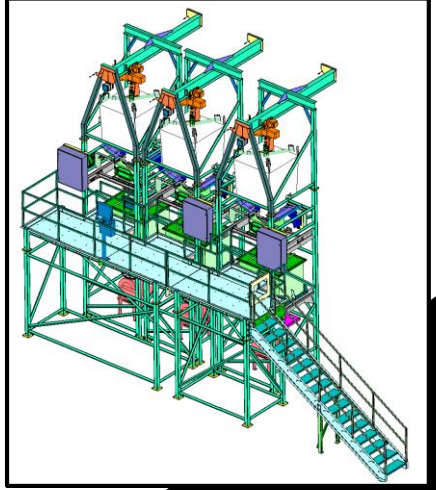
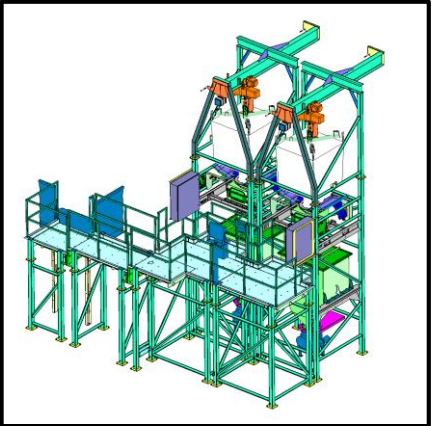
Application Overview:

High volume bulk bag discharging system. The transfer rate is 66,000 lbs/hour for each set of (3) bulk bag dischargers. High speed hoist are integrated to minimize bulk bag travel time from the loading position to the unloading position. The operator can control the hoist from ground level and on the operator access platform. Hoppers are provided as a buffer during a bulk bag change over. The hoppers discharge into the customer supplied rotary air lock and pneumatic conveying system. An operator platform with access stairs is included with each set of (3) dischargers.



REVISIONS		NAME	DATE
A	ISSUED FOR APPROVAL	MKL	12/09/20
B	REVISED	MKL	12/15/20
C	REVISED	MKL	01/04/21
D	REVISED	MKL	01/05/21

APPROVED - PROCEED AS DRAWN	<small>THIS DRAWING IS THE PROPERTY OF NATIONAL BULK EQUIPMENT. IT IS TO BE USED ONLY FOR THE PROJECT AND SITE SPECIFICALLY IDENTIFIED HEREON. IT IS NOT TO BE REPRODUCED, COPIED, OR TRANSMITTED IN ANY FORM OR BY ANY MEANS, ELECTRONIC OR MECHANICAL, INCLUDING PHOTOCOPYING, RECORDING, OR BY ANY INFORMATION STORAGE AND RETRIEVAL SYSTEM, WITHOUT THE WRITTEN PERMISSION OF NATIONAL BULK EQUIPMENT.</small>
APPROVED WITH REVISIONS NOTED	<small>THIS DRAWING IS THE PROPERTY OF NATIONAL BULK EQUIPMENT. IT IS TO BE USED ONLY FOR THE PROJECT AND SITE SPECIFICALLY IDENTIFIED HEREON. IT IS NOT TO BE REPRODUCED, COPIED, OR TRANSMITTED IN ANY FORM OR BY ANY MEANS, ELECTRONIC OR MECHANICAL, INCLUDING PHOTOCOPYING, RECORDING, OR BY ANY INFORMATION STORAGE AND RETRIEVAL SYSTEM, WITHOUT THE WRITTEN PERMISSION OF NATIONAL BULK EQUIPMENT.</small>
NOT APPROVED - REVISE AND RESUBMIT	<small>THIS DRAWING IS THE PROPERTY OF NATIONAL BULK EQUIPMENT. IT IS TO BE USED ONLY FOR THE PROJECT AND SITE SPECIFICALLY IDENTIFIED HEREON. IT IS NOT TO BE REPRODUCED, COPIED, OR TRANSMITTED IN ANY FORM OR BY ANY MEANS, ELECTRONIC OR MECHANICAL, INCLUDING PHOTOCOPYING, RECORDING, OR BY ANY INFORMATION STORAGE AND RETRIEVAL SYSTEM, WITHOUT THE WRITTEN PERMISSION OF NATIONAL BULK EQUIPMENT.</small>
DAMIAN BUTTON	12/11/2020



APPROVED - PROCEED AS DRAWN	<small>THIS DRAWING IS THE PROPERTY OF NATIONAL BULK EQUIPMENT. IT IS TO BE USED ONLY FOR THE PROJECT AND SITE SPECIFICALLY IDENTIFIED HEREON. IT IS NOT TO BE REPRODUCED, COPIED, OR TRANSMITTED IN ANY FORM OR BY ANY MEANS, ELECTRONIC OR MECHANICAL, INCLUDING PHOTOCOPYING, RECORDING, OR BY ANY INFORMATION STORAGE AND RETRIEVAL SYSTEM, WITHOUT THE WRITTEN PERMISSION OF NATIONAL BULK EQUIPMENT.</small>
APPROVED WITH REVISIONS NOTED	<small>THIS DRAWING IS THE PROPERTY OF NATIONAL BULK EQUIPMENT. IT IS TO BE USED ONLY FOR THE PROJECT AND SITE SPECIFICALLY IDENTIFIED HEREON. IT IS NOT TO BE REPRODUCED, COPIED, OR TRANSMITTED IN ANY FORM OR BY ANY MEANS, ELECTRONIC OR MECHANICAL, INCLUDING PHOTOCOPYING, RECORDING, OR BY ANY INFORMATION STORAGE AND RETRIEVAL SYSTEM, WITHOUT THE WRITTEN PERMISSION OF NATIONAL BULK EQUIPMENT.</small>
NOT APPROVED - REVISE AND RESUBMIT	<small>THIS DRAWING IS THE PROPERTY OF NATIONAL BULK EQUIPMENT. IT IS TO BE USED ONLY FOR THE PROJECT AND SITE SPECIFICALLY IDENTIFIED HEREON. IT IS NOT TO BE REPRODUCED, COPIED, OR TRANSMITTED IN ANY FORM OR BY ANY MEANS, ELECTRONIC OR MECHANICAL, INCLUDING PHOTOCOPYING, RECORDING, OR BY ANY INFORMATION STORAGE AND RETRIEVAL SYSTEM, WITHOUT THE WRITTEN PERMISSION OF NATIONAL BULK EQUIPMENT.</small>
	12/11/2020