

TapTone Compression (C)



Compression Sensor

Single Sensor Compression Inspection for leak detection in plastic containers. Available in Standard or Low Profile configuration.

Leak Detection for Flexible Containers

The TapTone Compression (C) system inspects 100% of your containers at production line speeds. The TapTone Compression system will detect pin-hole leaks in plastic containers and tubes. When combined with optional sensors, this system will also perform fill level inspection, cap inspection and label detection.

Benefits

- Rapid on-line inspection: up to 1.52 m/sec (300 ft/min) maximum
- Accurate leak detection as small as 0.508 mm (0.020in). Application and container dependent
- Easy operation & product set-up using a large color touch screen and icon driven menus
- Controlled access to system features with multi-level passwords
- Combined inspections on a single controller:
Up to 4 primary inspections (Compression, X-ray, Proximity)
- Reject and sort with 2 independently operated reject outputs
- Meets CE requirements, UL and CUL approved
- Available in a Low Profile format for small containers

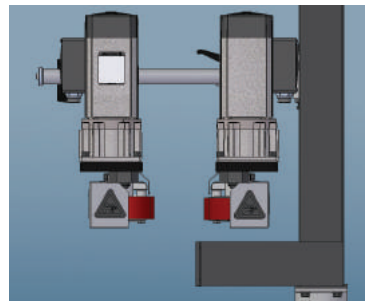
Applications

- Leak detection in plastic containers
- Leak detection in tubes
- Leak detection in food/dairy cups

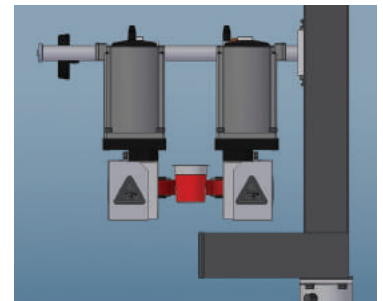
How It Works

Compression Technology

Detects leaks in plastic containers. As a container passes through the system, dual parallel belts apply force to the sidewalls of the container. This action compresses the head space of the container, which allows a sensor to take a force measurement at the discharge of the system. Utilizing DSP technology, the controller analyzes the measurement and assigns a merit value to each container. If the merit value is outside of the acceptable range, a reject signal activates a remote reject system.



C Standard Profile



CLP Low Profile



SYSTEM SPECIFICATIONS

General Specifications C/CLP

Operating Speed (max)	1.52 m/sec (300 ft/min)
Standard Conveyor Height Range	60.9 cm-111.7 cm (24 in - 44 in)
Optional Conveyor Height (leg extensions)	111.7 cm-157.4 cm (44 in - 62 in)
Belt Opening (maximum)	177.8 mm (7 in)
Digital Outputs	8
Digital Inputs	4
Shaft Encoder	Aluminum or stainless steel
AC Line Voltage (standard)	230 VAC, 1-phase
Alarm Outputs	2 (multi-function configurable)
Reject Outputs	3

Material & Control Enclosure

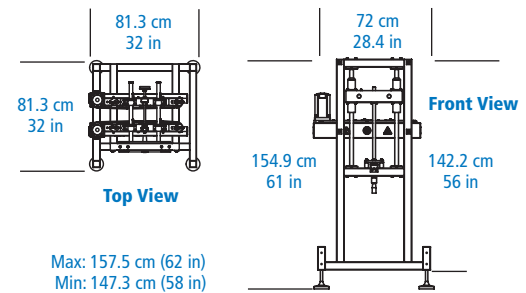
Enclosure Environmental Rating	Stainless steel, NEMA-4X, IP65 rated
Transport Deck Materials	Aluminum hard coat
Frame Material Finish	Stainless steel

Software & Networking Capabilities

Remote Diagnostics
Supports Multiple Languages (user interface dependent)
Stores Multiple Product Set-Ups
Supports Industrial Ethernet Protocols (EtherNet/IP and Modbus TCP)
Multi-Level Password Protection

10/2021 Specifications subject to change without notice.
Copyright 2021, TELEDYNE TAPTONE, A division of Teledyne Instruments, Inc.

C SENSOR



C OPTIONS

Air Pressure Monitoring

Monitors and displays the air pressure at the rejector. Alarm signal will activate if the air pressure drops below user pre-set limits.

Cap Inspection

Inspection sensors for missing, high, or cocked cap detection can be added as an option. Both optical and camera systems are available.

Down Bottle Inspection

The Down Bottle Inspection sensors detect bottles that have fallen over on the conveyor and were not inspected.

Rejectors

TapTone offers a line of pneumatic ram and standing rejection systems.

Reject Verification

Detects a container that has failed the inspection but has not been rejected from the production conveyor.

TDLC Sensor

The new TDLC sensor is designed to test foil and plastic film sealed flexible containers with improved sensitivity.

C COMPATIBLE SYSTEMS

- T550