



VIBRATORY NET WEIGH SCALE

MODEL TE10C

Magnum Systems Model TE10C is an electronic, small net weigh scale designed for weighments of 2 oz to 5 lb. Specialized for coffee and candies the TE10C was designed with a timed discharge to eliminate spillage, as well as controls for single operator convenience.

VARIABLE SPEED ELECTRONIC SCALE FOR SMALL ACCURATE WEIGHTS

Features

- Vibratory feeder
- Net-weigh bucket for increased fill speed
- Conical hopper increase material flow
- Tool-less disassembly for ease of clean-up
- T4000 weigh controller for precise filling
- Stainless steel construction/contact points

Optional Features

- Dual set point
- Adjustable flow boot
- Bulk accumulation for weights of 5 lbs
- Auto-zero

Materials Typically Handled

- Coffee (ground and whole bean)
- Candies



Engineering, Design & Manufacturing
to Keep the Line Moving

VIBRATORY NET WEIGH SCALE

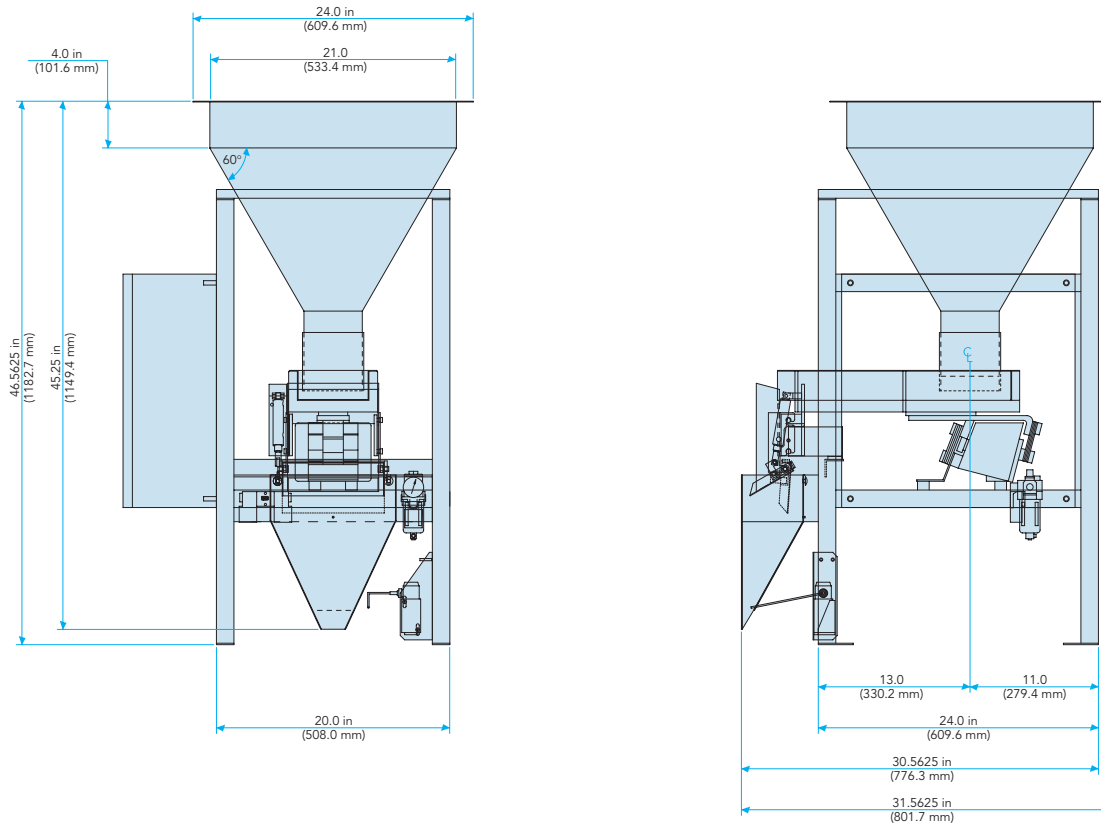


Diagram dimensions are for reference only*

SPECIFICATIONS

Speed	Up to 12 weighments per minute
Accuracy	Up to 0.4%
Bag Weight Range	2 oz to 5 lb (0.057 kg to 2.268 kg) <i>Weight range is dependent on product's bulk density. Free product testing recommended.</i>
Construction	11 Gauge, 1.5 in x 1.5 in 304 S/S Tubular Support Frame, 304 S/S Contact Points, Table Top Mount
Electrical Requirements	120 Volt, 5 amp
Air Requirements	90 PSI, 1 cfm



©2017 Magnum Systems, Inc. All rights reserved. Catalog number MS.1011.0917



www.magnumsystems.com

Toll Free 888.882.9567 Fax 620.421.5531

Corporate 2205 Jothi Avenue, Parsons, Kansas 67357