

Portable Single Drum Fill Station

Application Details: E602060058

Material: Zinc Stearate & Calcium Carbonate

Bulk Density: 23-37lbs/ft³

Particle Size: 50-300 Micron

Flowability: Free-Flowing

Area Classification: Class II Division 2 Group F

Customer Requested Rate: 8 Drums/hour

Clean Procedure: Dry Wipe

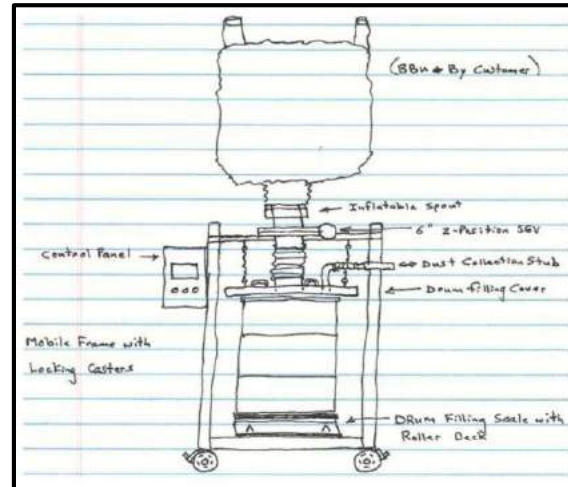
2020 Project Value: \$44,281.00

Application Overview:

Portable single drum fill station designed to integrate with the current bulk bag filler. An operator will manually position the drum filler under the existing Bulk Bag Filler. The equipment includes independent pneumatic knife gate, drum filler controls with a load cell scale package. The controls will open and close an existing feed valve.

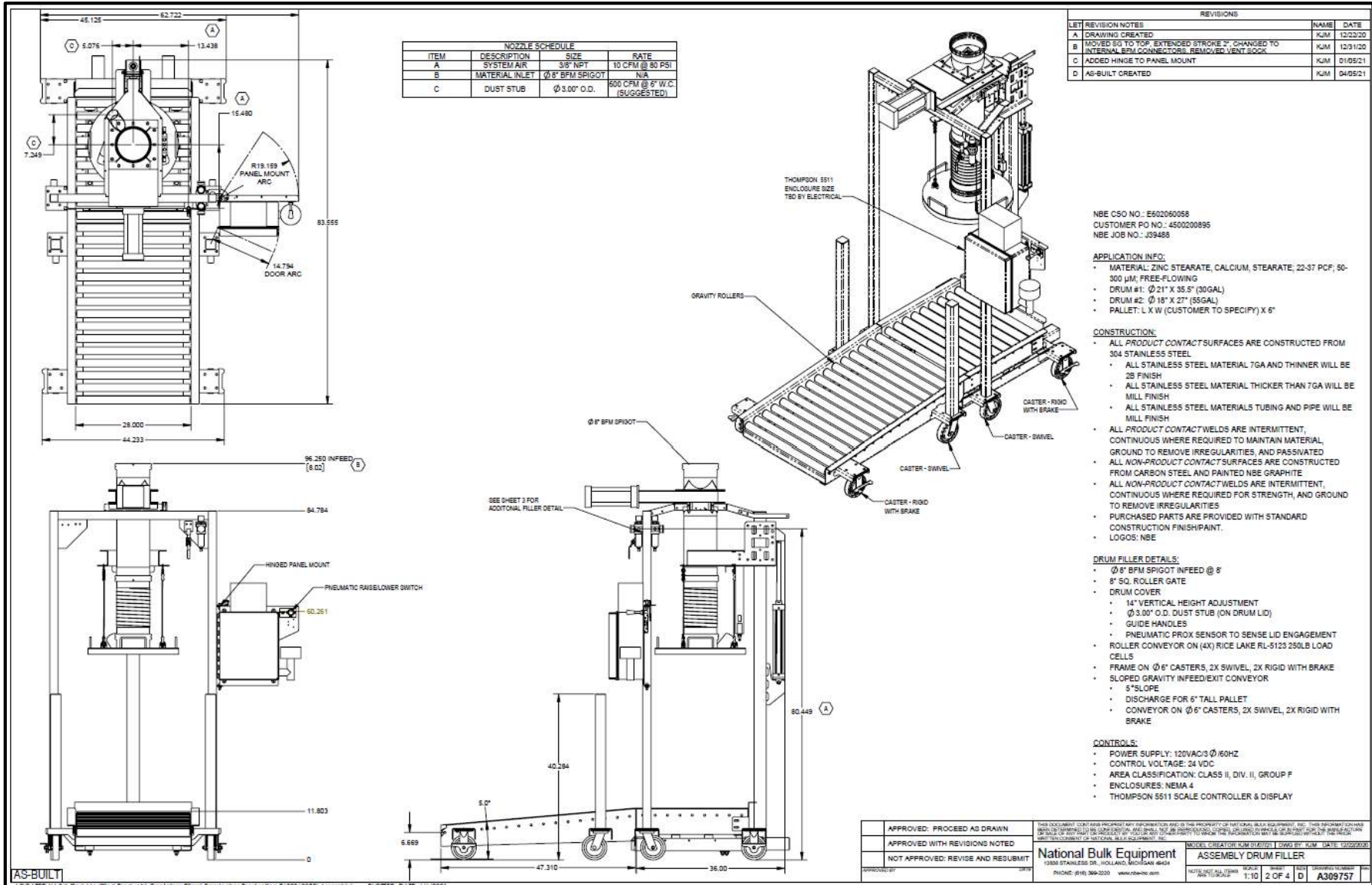


SolidWorks 3D equipment model



Hand sketch developed during initial meeting





Existing Bag Fill Station. The Portable Drum Filler is manually position & connected to the Bag Filler.