

*Craftsmanship for Forward Momentum*

## **LUMP BREAKER**

### **KEEP IT SMOOTH WITH THE RIGHT PARTICLE SIZE**

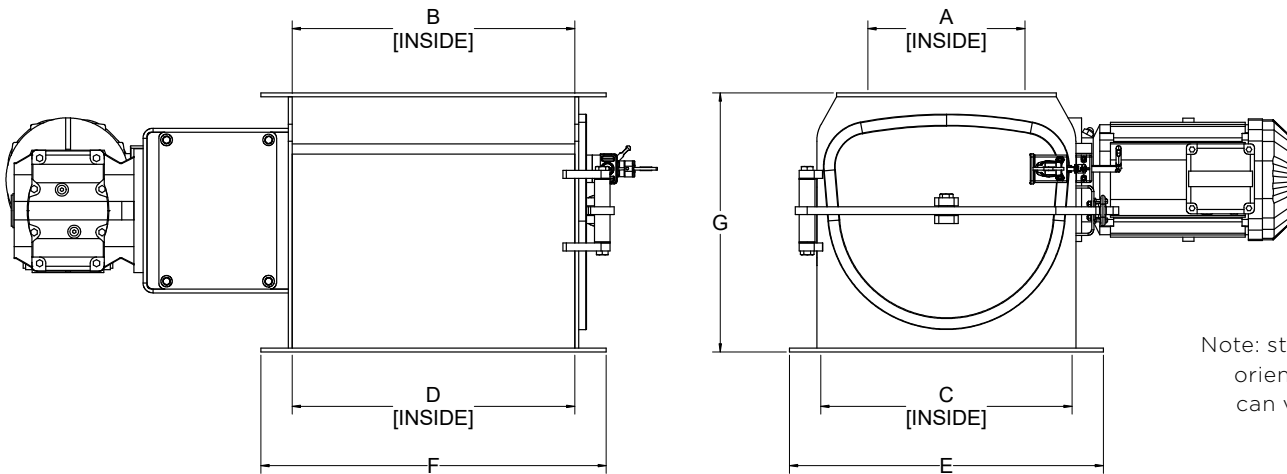
Some mixes start with fine particles, but others contain ingredients that are prone to clumping or too large for the desired mix textures. The Lump Breaker, part of Marion's Momentum product line, mechanically breaks down agglomerates and clumps. It grinds solids to a maximum size for further processing. Material loaded in the top undergoes agitation with a rotating beater assembly that grates the product through a perforated screen. The Lump Breaker can be used to reduce agglomerated lumps of foods, fine chemicals, pharmaceuticals or other materials to a granular size suitable for use as the final product or for further processing such as fine milling.

With a sanitary design, the Lump Breaker is easy to clean and features a number of easily-removeable and replaceable parts such as gaskets, seals and screens. The compact and robust design can be integrated in the production line before or after mixing, customized with side hatches, loading hoppers or integration with other machines.



**BENEFITS**

- Robust design for long lifetime with replaceable gaskets, screens and seals
- Multiple mesh sizes available for different particle size reduction requirements
- Minimization of material loss and increased safety with dust-tight hatches
- Customizable options such as side hatches, loading hoppers and floor stands
- Narrow particle size distribution with minimal generation of fines
- High-capacity size reduction
- Compact and robust design
- Low power consumption
- Easy to clean, with cantilevered shaft, easy to change screens and easy access
- Improved process efficiency
- No special tools required for maintenance, with ease of access
- Customized versions available for special applications



**SPECIFICATIONS**

Model Number	Screen Diameter (in)	Inlet Width (in) (A)	Inlet Length (in) (B)	Outlet Width (in) (C)	Outlet Length (in) (D)	Largest Flange Width (in) (E)	Largest Flange Length (in) (F)	Overall Height (in) (G)	HP	*Maximum Throughput (ft <sup>3</sup> /min)
LB-250	10	10	18	16	18	20	22	16.5	5	4
LB-350	14	14	18	20	18	24	22	20.5	10	6
LB-450	18	18	22	26	22	30	26	24.5	15	10
LB-550	22	22	22	30	22	34	26	28.5	20	12

\*Actual throughput will depend on material properties and screen mesh size

**ABOUT MOMENTUM SERIES**

The Momentum Series expands the range of the Marion product line, focused on creating momentum for our customers, engineered with craftsmanship just for you... because we can create momentum only when we move **forward together**.

