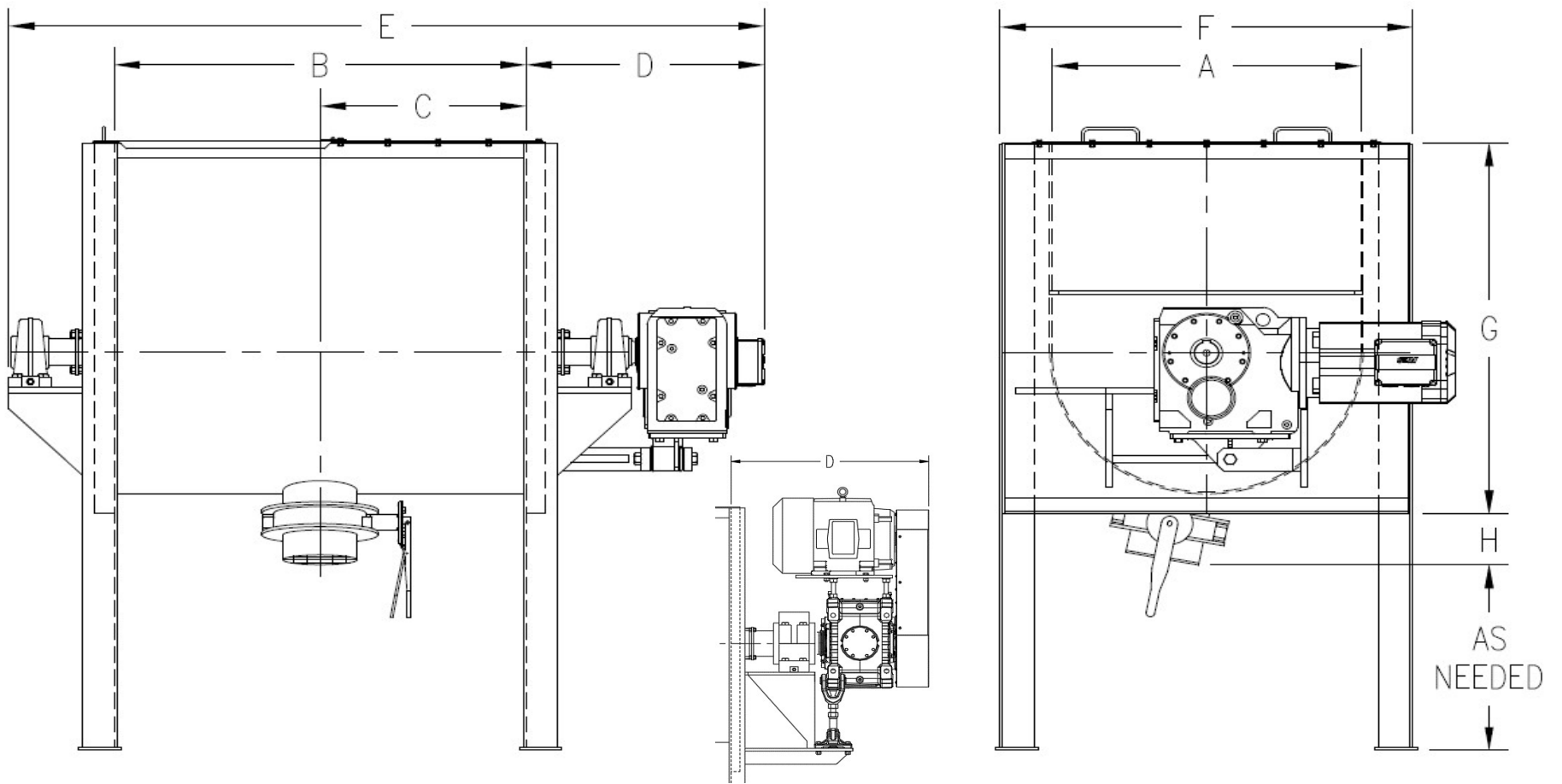


U - TROUGH MIXER



ALTERNATIVE DRIVE ARRANGEMENT

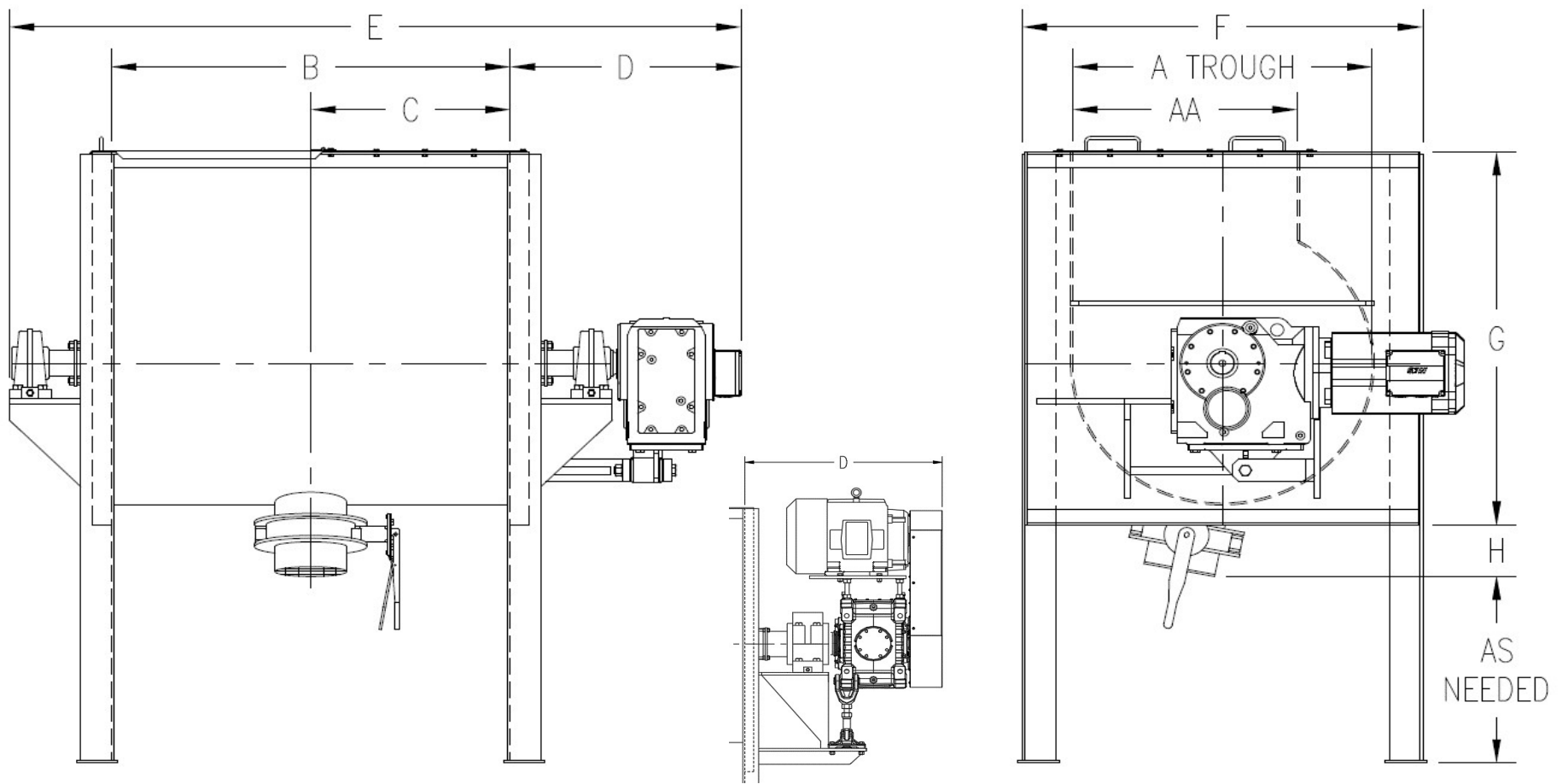
GENERAL ARRANGEMENT DRAWING

MODEL NUMBER	WORKING CAPACITY CUF [LITRE]	TROUGH SIZE				GENERAL DIMENSIONS													
		WIDTH A IN [MM]		LENGTH B IN [MM]		C IN [MM]		D IN [MM]		E IN [MM]		F IN [MM]		G IN [MM]		H IN [MM]			
1224	1.5 [45]	12 [305]	24 [610]	12 [305]	14 [356]	46 [1169]	24 [610]	20 [508]	5 [127]										
1824	3.5 [100]	18 [458]	24 [610]	12 [305]	16 [407]	48 [1220]	24 [610]	27 [686]	5 [127]										
2436	10 [280]	24 [610]	36 [915]	18 [458]	18 [458]	64 [1626]	31 [788]	34 [864]	5 [127]										
2748	15 [475]	27 [686]	48 [1220]	24 [610]	20 [508]	78 [1982]	35 [889]	38 [966]	6 [153]										
3048	20 [580]	30 [762]	48 [1220]	24 [610]	21 [534]	81 [2058]	40 [1016]	41 [1042]	7 [178]										
3648	30 [840]	36 [915]	48 [1220]	24 [610]	23 [585]	83 [2109]	47 [1194]	48 [1220]	7 [178]										
3672	45 [1250]	36 [915]	72 [1829]	36 [915]	24 [610]	108 [2744]	47 [1194]	48 [1220]	7 [178]										
3696	60 [1700]	36 [915]	96 [2439]	48 [1220]	26 [661]	134 [3404]	47 [1194]	48 [1220]	7 [178]										
4272	60 [1700]	42 [1067]	72 [1829]	36 [915]	26 [661]	111 [2820]	54 [1372]	55 [1397]	8 [204]										

****GENERAL ARRANGEMENT DRAWING - ALTERNATIVE DRIVE**

MODEL NUMBER	WORKING CAPACITY CUF [LITRE]	TROUGH SIZE				GENERAL DIMENSIONS													
		WIDTH A IN [MM]		LENGTH B IN [MM]		C IN [MM]		D IN [MM]		E IN [MM]		F IN [MM]		G IN [MM]		H IN [MM]			
3696	60 [1700]	36 [915]	96 [2439]	48 [1220]	35 [889]	138 [3506]	47 [1194]	48 [1220]	7 [178]										
4272	60 [1700]	42 [1067]	72 [1829]	36 [915]	35 [889]	115 [2921]	54 [1372]	55 [1397]	8 [204]										
4296	80 [2280]	42 [1067]	96 [2439]	48 [1220]	37 [940]	140 [3556]	54 [1372]	55 [1397]	8 [204]										
42120	100 [2825]	42 [1067]	120 [3048]	60 [1524]	37 [940]	164 [4166]	54 [1372]	55 [1397]	8 [204]										
5472	100 [2825]	54 [1372]	72 [1829]	36 [915]	39 [991]	117 [2972]	65 [1651]	67 [1702]	8 [204]										
5496	133 [3750]	54 [1372]	96 [2439]	48 [1220]	44 [1118]	145 [3683]	65 [1651]	67 [1702]	8 [204]										
54120	166 [4700]	54 [1372]	120 [3048]	60 [1524]	44 [1118]	169 [4293]	65 [1651]	67 [1702]	8 [204]										
54144	200 [5650]	54 [1372]	144 [3658]	72 [1829]	48 [1220]	199 [5055]	65 [1651]	67 [1702]	8 [204]										
54168	233 [6600]	54 [1372]	168 [4268]	84 [2134]	48 [1220]	223 [5665]	65 [1651]	67 [1702]	8 [204]										
54192	266 [7525]	54 [1372]	192 [4877]	96 [2439]	50 [1270]	250 [6350]	65 [1651]	67 [1702]	8 [204]										

** Preliminary Drawing - All Dimensions are for Reference and May Vary from Actual Product



ALTERNATIVE DRIVE ARRANGEMENT

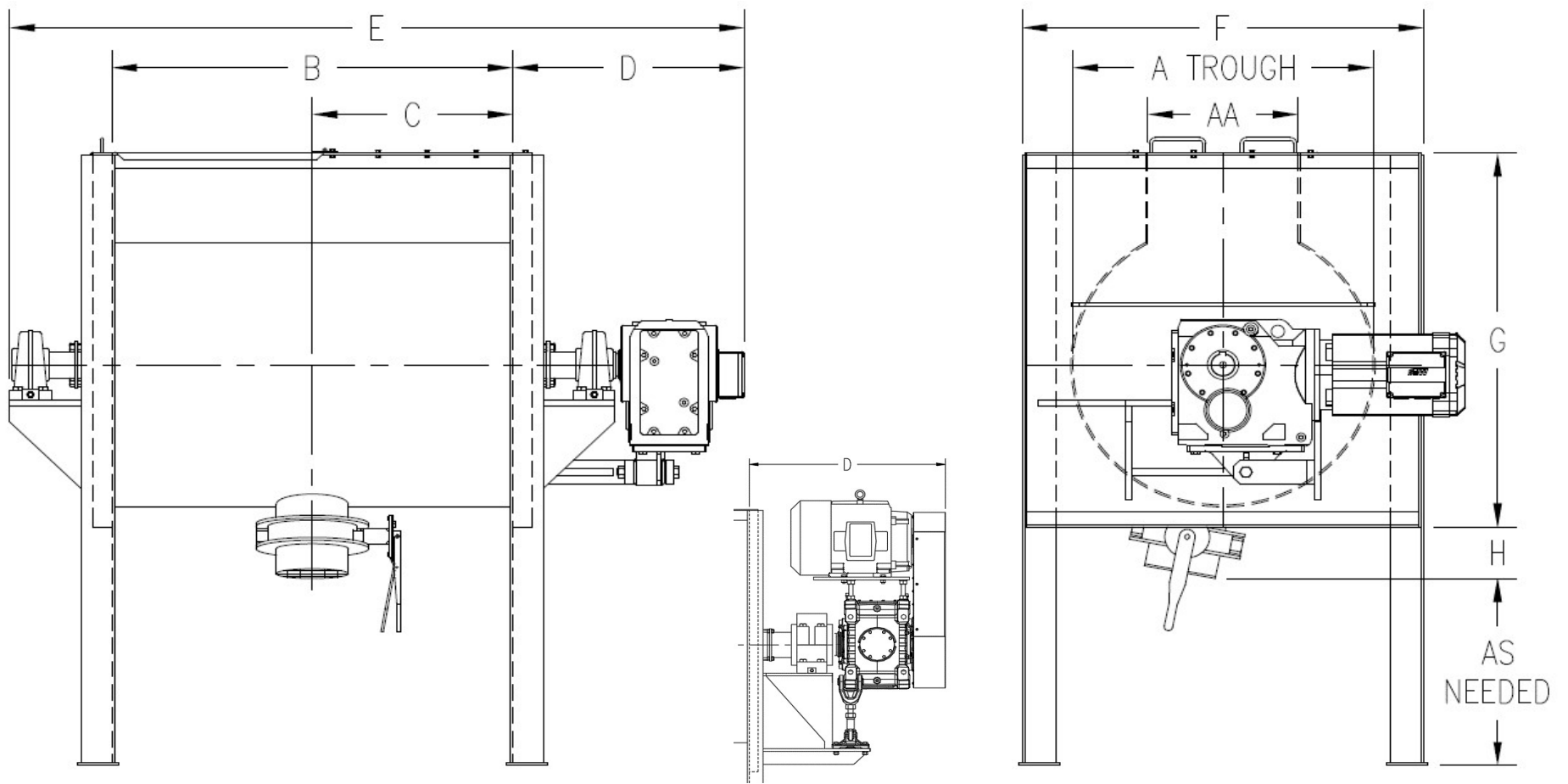
GENERAL ARRANGEMENT DRAWING

MODEL NUMBER	WORKING CAPACITY CUF [LITRE]		TROUGH SIZE						GENERAL DIMENSIONS											
			TROUGH A IN [MM]		WIDTH AA IN [MM]		LENGTH B IN [MM]		C IN [MM]		D IN [MM]		E IN [MM]		F IN [MM]		G IN [MM]		H IN [MM]	
1224	1.5	[40]	12	[305]	9	[229]	24	[610]	12	[305]	14	[356]	46	[1169]	24	[610]	20	[508]	5	[127]
1824	3.25	[90]	18	[458]	14	[356]	24	[610]	12	[305]	16	[407]	48	[1220]	24	[610]	27	[686]	5	[127]
2436	9	[250]	24	[610]	18	[458]	36	[915]	18	[458]	18	[458]	64	[1626]	31	[788]	34	[864]	5	[127]
2748	15	[425]	27	[686]	20	[508]	48	[1220]	24	[610]	20	[508]	78	[1982]	35	[889]	38	[966]	6	[153]
3048	18	[525]	30	[762]	22	[559]	48	[1220]	24	[610]	21	[534]	81	[2058]	40	[1016]	41	[1042]	7	[178]
3648	25	[700]	36	[915]	27	[686]	48	[1220]	24	[610]	23	[585]	83	[2109]	47	[1194]	48	[1220]	7	[178]
3672	40	[1100]	36	[915]	27	[686]	72	[1829]	36	[915]	24	[610]	108	[2744]	47	[1194]	48	[1220]	7	[178]
3696	55	[1550]	36	[915]	27	[686]	96	[2439]	48	[1220]	26	[661]	134	[3404]	47	[1194]	48	[1220]	7	[178]
4272	55	[1550]	42	[1067]	32	[813]	72	[1829]	36	[915]	26	[661]	111	[2820]	54	[1372]	55	[1397]	8	[204]

****GENERAL ARRANGEMENT DRAWING - ALTERNATIVE DRIVE**

MODEL NUMBER	WORKING CAPACITY CUF [LITRE]		TROUGH SIZE						GENERAL DIMENSIONS											
			TROUGH A IN [MM]		WIDTH AA IN [MM]		LENGTH B IN [MM]		C IN [MM]		D IN [MM]		E IN [MM]		F IN [MM]		G IN [MM]		H IN [MM]	
3696	55	[1550]	36	[915]	27	[686]	96	[2439]	48	[1220]	35	[889]	138	[3506]	47	[1194]	48	[1220]	7	[178]
4272	55	[1550]	42	[1067]	32	[813]	72	[1829]	36	[915]	35	[889]	115	[2921]	54	[1372]	55	[1397]	8	[204]
4296	70	[2000]	42	[1067]	32	[813]	96	[2439]	48	[1220]	37	[940]	140	[3556]	54	[1372]	55	[1397]	8	[204]
42120	90	[2550]	42	[1067]	32	[813]	120	[3048]	60	[1524]	37	[940]	164	[4166]	54	[1372]	55	[1397]	8	[204]
5472	90	[2550]	54	[1372]	40	[1016]	72	[1829]	36	[915]	39	[991]	117	[2972]	65	[1651]	67	[1702]	8	[204]
5496	120	[3400]	54	[1372]	40	[1016]	96	[2439]	48	[1220]	44	[1118]	145	[3683]	65	[1651]	67	[1702]	8	[204]
54120	150	[4250]	54	[1372]	40	[1016]	120	[3048]	60	[1524]	44	[1118]	169	[4293]	65	[1651]	67	[1702]	8	[204]
54144	180	[5100]	54	[1372]	40	[1016]	144	[3658]	72	[1829]	48	[1220]	199	[5055]	65	[1651]	67	[1702]	8	[204]
54168	210	[6000]	54	[1372]	40	[1016]	168	[4268]	84	[2134]	48	[1220]	223	[5665]	65	[1651]	67	[1702]	8	[204]
54192	240	[6800]	54	[1372]	40	[1016]	192	[4877]	96	[2439]	50	[1270]	250	[6350]	65	[1651]	67	[1702]	8	[204]

** Preliminary Drawing - All Dimensions are for Reference and May Vary from Actual Product



ALTERNATIVE DRIVE ARRANGEMENT

GENERAL ARRANGEMENT DRAWING

MODEL NUMBER	WORKING CAPACITY CUF [LITRE]	TROUGH SIZE						GENERAL DIMENSIONS									
		TROUGH A IN [MM]		WIDTH AA IN [MM]		LENGTH B IN [MM]		C IN [MM]		D IN [MM]		E IN [MM]		F IN [MM]		G IN [MM]	
1224	1.4 [40]	12 [305]	6 [153]	24 [610]	12 [305]	14 [356]	46 [1169]	24 [610]	20 [508]	5 [127]							
1824	3.0 [85]	18 [458]	10 [254]	24 [610]	12 [305]	16 [407]	48 [1220]	24 [610]	27 [686]	5 [127]							
2436	8 [240]	24 [610]	12 [305]	36 [915]	18 [458]	18 [458]	64 [1626]	31 [788]	34 [864]	5 [127]							
2748	14 [400]	27 [686]	13 [331]	48 [1220]	24 [610]	20 [508]	78 [1982]	35 [889]	38 [966]	6 [153]							
3048	17 [450]	30 [762]	14 [356]	48 [1220]	24 [610]	21 [534]	81 [2058]	40 [1016]	41 [1042]	7 [178]							
3648	25 [700]	36 [915]	18 [458]	48 [1220]	24 [610]	23 [585]	83 [2109]	47 [1194]	48 [1220]	7 [178]							
3672	38 [1050]	36 [915]	18 [458]	72 [1829]	36 [915]	24 [610]	108 [2744]	47 [1194]	48 [1220]	7 [178]							
3696	50 [1400]	36 [915]	18 [458]	96 [2439]	48 [1220]	26 [661]	134 [3404]	47 [1194]	48 [1220]	7 [178]							
4272	50 [1400]	42 [1067]	22 [559]	72 [1829]	36 [915]	26 [661]	111 [2820]	54 [1372]	55 [1397]	8 [204]							

****GENERAL ARRANGEMENT DRAWING - ALTERNATIVE DRIVE**

MODEL NUMBER	WORKING CAPACITY CUF [LITRE]	TROUGH SIZE						GENERAL DIMENSIONS									
		TROUGH A IN [MM]		WIDTH AA IN [MM]		LENGTH B IN [MM]		C IN [MM]		D IN [MM]		E IN [MM]		F IN [MM]		G IN [MM]	
3696	50 [1400]	36 [915]	18 [458]	96 [2439]	48 [1220]	35 [889]	138 [3506]	47 [1194]	48 [1220]	7 [178]							
4272	50 [1400]	42 [1067]	22 [559]	72 [1829]	36 [915]	35 [889]	115 [2921]	54 [1372]	55 [1397]	8 [204]							
4296	68 [1925]	42 [1067]	22 [559]	96 [2439]	48 [1220]	37 [940]	140 [3556]	54 [1372]	55 [1397]	8 [204]							
42120	85 [2400]	42 [1067]	22 [559]	120 [3048]	60 [1524]	37 [940]	164 [4166]	54 [1372]	55 [1397]	8 [204]							
5472	85 [2400]	54 [1372]	26 [661]	72 [1829]	36 [915]	39 [991]	117 [2972]	65 [1651]	67 [1702]	8 [204]							
5496	113 [3200]	54 [1372]	26 [661]	96 [2439]	48 [1220]	44 [1118]	145 [3683]	65 [1651]	67 [1702]	8 [204]							
54120	140 [4000]	54 [1372]	26 [661]	120 [3048]	60 [1524]	44 [1118]	169 [4293]	65 [1651]	67 [1702]	8 [204]							
54144	170 [4800]	54 [1372]	26 [661]	144 [3658]	72 [1829]	48 [1220]	199 [5055]	65 [1651]	67 [1702]	8 [204]							
54168	200 [5600]	54 [1372]	26 [661]	168 [4268]	84 [2134]	48 [1220]	223 [5665]	65 [1651]	67 [1702]	8 [204]							
54192	225 [6400]	54 [1372]	26 [661]	192 [4877]	96 [2439]	50 [1270]	250 [6350]	65 [1651]	67 [1702]	8 [204]							

** Preliminary Drawing - All Dimensions are for Reference and May Vary from Actual Product