

## Lift and Seal Drum Dumper with Integrated Flexible Screw Conveyor

### Application Details:

NBE CSO: E901890025

Material: H3 Aluminum & AP Powders

Bulk Density: 46.2 PCF, AP: 68.7 PCF

Particle Size: Powders

Flowability: Semi Free flowing

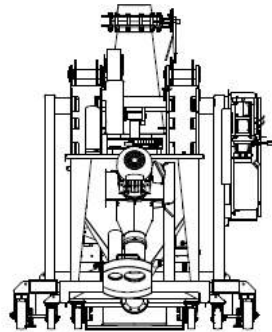
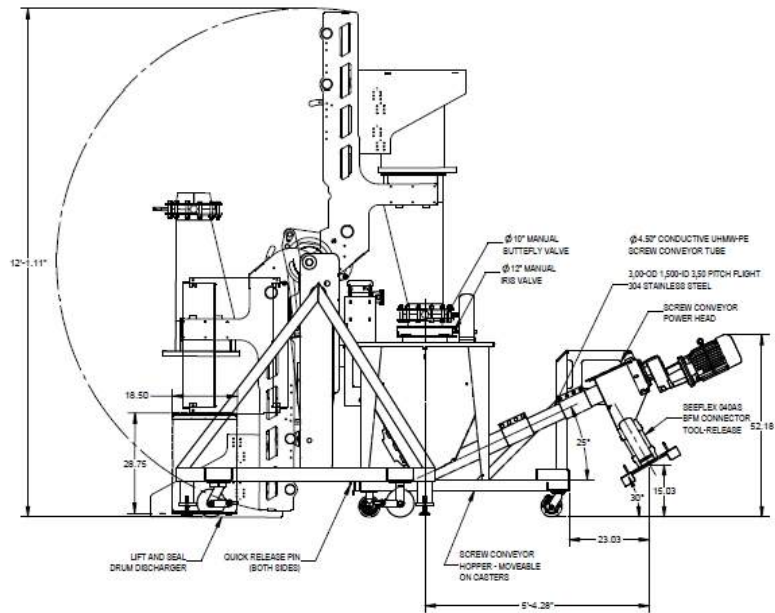
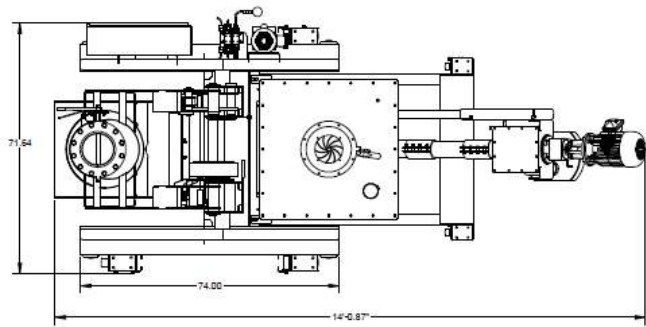
Area Classification: General Area

Clean Procedure: Washdown – low water pressure

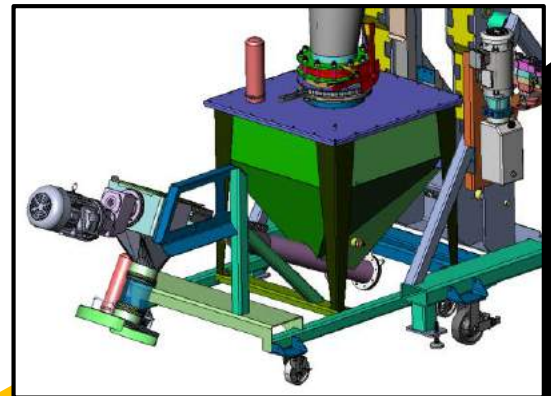
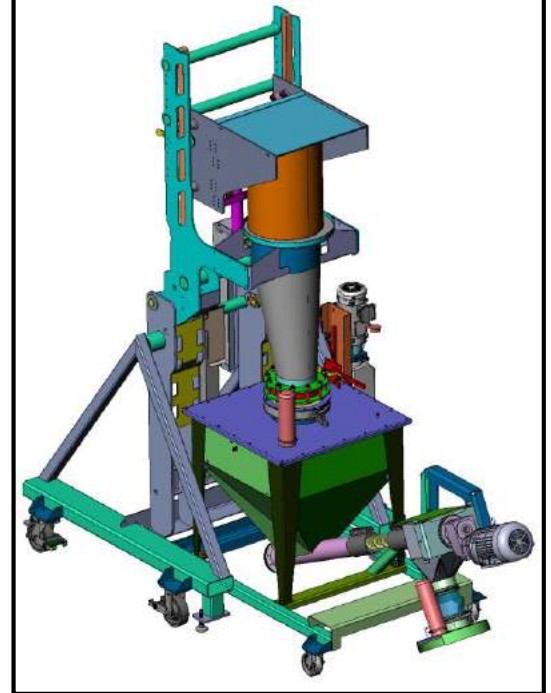
2018 Project Value: \$141,564.00

### Application Overview:

Customer required a drum discharger and portable screw conveyor to contain dust while discharging and conveying. The area was rated general area, but the material is considered an explosive, so the system utilized anti-static tubing for the conveyor and was bonded and grounded.



REVISIONS		
LET	REVISION NOTES	NAME DATE
A	ISSUED FOR APPROVAL	MTR 3/20/2019
B	UPDATED PER CUSTOMER MARK-UPS	MTR 4/11/2019
C	ANGLED BLENDER CONVEYOR DISCHARGE HEAD - AS APPROVED	MTR 4/18/2019
D	AS-BUILT	MTR 8/12/2019



NBE CSD # 090190005  
 PO # MPO0203437

Material Name: HG Aluminum & GP Powders  
 Bulk Density AL: 48.2 PCF, AP: 58.7 PCF  
 Particle Size AL: Unknown, AP: 20 um and 200 um  
 Flowability: per-fee flowing

Drum: 30 gallon fiberboard drums  
 Drum Size: 18.5" Dia x 28.75" tall

Construction Requirements:  
 Product Contact Surfaces: 304 Stainless Steel  
 Product Weld Finish: Continuous / Passivated / Ground  
 Smooth end flush - 304SS  
 Non-Product Contact: 304 Stainless Steel  
 Non-Contact Weld Finish: Continuous welded - deburred  
 Purchased parts are provided with standard construction finish/paint.  
 Nylon nuts to be used on bolted connections  
 No fasteners in product stream

Electrical Supply: 480 VAC / 3 Ph / 60 Hz  
 Control Voltage: 24 VDC  
 Enclosure: NEMA 4X  
 Washdown Procedure: Washdown - low water pressure  
 Area Classification: General Area

APPROVED: PROCEED AS DRAWN	THIS DOCUMENT CONTAINS PROPRIETARY INFORMATION AND IS THE PROPERTY OF NATIONAL BULK EQUIPMENT, INC. THIS INFORMATION HAS BEEN DEVELOPED BY NATIONAL BULK EQUIPMENT, INC. AND IS NOT TO BE REPRODUCED OR TRANSMITTED IN ANY FORM OR BY ANY MEANS, ELECTRONIC OR MECHANICAL, INCLUDING PHOTOCOPYING, RECORDING, OR BY ANY INFORMATION STORAGE AND RETRIEVAL SYSTEM, WITHOUT THE WRITTEN PERMISSION OF NATIONAL BULK EQUIPMENT, INC.	MODEL CREATOR WITH 05/07/19 DWG BY: MTR DATE: 3/19/2019
APPROVED WITH REVISIONS NOTED		ASSEMBLY DRUM DISCHARGER SYSTEM
NOT APPROVED: REVISE AND RESUBMIT		SHEET NO. 1 OF 1 DATE: 1/16 2 OF 10 D A267226 D

**National Bulk Equipment**  
 13300 STANLEIGH DR., HOLLAND, MICHIGAN 49424  
 PHONE: (616) 369-3300 www.nbe-inc.com

