



Forklift Bulk Bag Discharge with Load Cell Package

Application Details:

NBE CSO: E102010210

Material: Potassium Nitrate (Salt)

Bulk Density: 85 lbs/ft³

Particle Size: Prills

Flowability: Tends to agglomerate

Area Classification: General Purpose

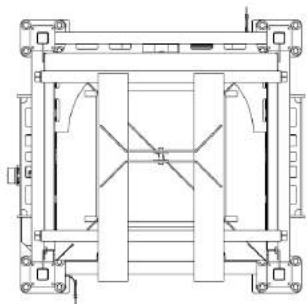
Discharge Rate:

Accuracy: +/- 1.5 lbs

2020 Project Value: \$ 88,468.00

Application Overview:

Customer needed to transfer potassium nitrate by weight to a downstream mix tank. Due to the agglomerated nature when its discharged out of the bulk bag, a heavy duty Crumbler was required to break the material down to its original Prill state so it could be pneumatically transferred. The NBE scale package and Crumbler were tied to the customers transfer system for a controlled weight transfer to the mix tank.



REVISIONS		NAME	DATE
LET)	REVISION NOTES	BTK	11/19/20
A	ISSUED FOR CUSTOMER APPROVAL	BTK	12/22/20
B	HYDRAULIC RAMS REMOVED	BTK	12/16/2020
C	NBE TERMINAL BOX MOVED TO LEFT SIDE	BTK	1/18/2021
D	AIR INLET NOW 3/4" NPT, 20 CFM FLOW	BTK	3/16/2021
E	AS BUILT		

Customer PO: P338049
 CSO: E102010210
 Job No: J38926

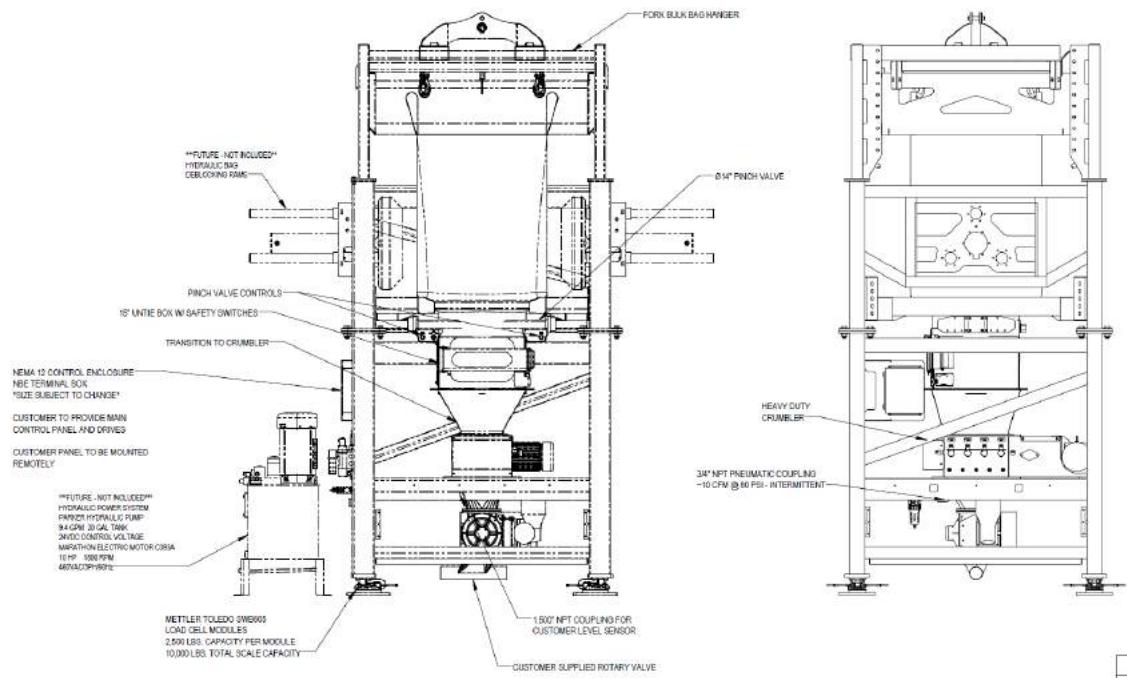
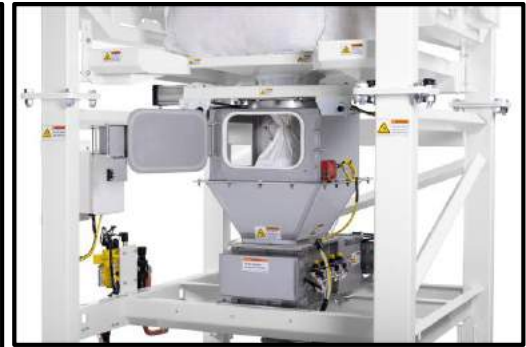
Exterior Color: Carbon Steel Painted RAL-9003

Material: Potassium Nitrate Prills (Salt)

BULK BAG
 Bulk Bag Dimensions: 90cm x 90cm x 112cm Tall
 Straps: 25cm long
 Discharge Spout: Ø60cm x 55cm Long
 Spout Tie Location: N/A
 Weight: 2,650 lbs

- DESIGN SPECIFICATIONS**
- Product Contact Surfaces: 316L Stainless Steel
 - Product Contact Weld Finish: Continuous / Ground smooth, not necessarily flush / Passivated
 - Non-product Contact Surfaces: Carbon steel painted RAL-9003
 - Non-product Contact Weld Finish: Intermittent (continuous where required for strength) / and ground to remove irregularities.
 - Purchased parts are provided with standard construction finish/paint.

CONTROLS
 Electrical Supply: 460 VAC / 3 PH / 60 Hz.
 Control Voltage: 24 VDC
 Enclosures: NEMA 12 control enclosures painted RAL 9003
 Area Classification: General Industrial - Non Hazardous
 Plant Air: 10 CFM @ 80 PSI - Intermittent



APPROVED: PROCEED AS DRAWN	THIS DOCUMENT CONTAINS PROPRIETARY INFORMATION AND IS THE PROPERTY OF NATIONAL BULK EQUIPMENT, INC. THIS INFORMATION HAS BEEN DETERMINED TO BE CONFIDENTIAL AND SHALL NOT BE REPRODUCED, COPIED, OR USED IN WHOLE OR IN PART FOR THE MANUFACTURE OF THIS OR ANY OTHER PRODUCT BY ANY OTHER PARTY WITHOUT THE WRITTEN CONSENT OF NATIONAL BULK EQUIPMENT, INC.	MODEL CREATOR: BTK 12/14/20 DWG BY: BTK DATE: 11/13/2020
APPROVED WITH REVISIONS NOTED	National Bulk Equipment 12028 STAINLESS CR., HOLLAND, MICHIGAN 49423 PHONE: (616) 399-2228 www.nbe-inc.com	ASSEMBLY FORK LIFT BBU
NOT APPROVED: REVISE AND RESUBMIT		NOTE: NOT ALL ITEMS SCALE: 1:15 SHEET: 2 OF 8 DRAWS NUMBER: A311165 E

