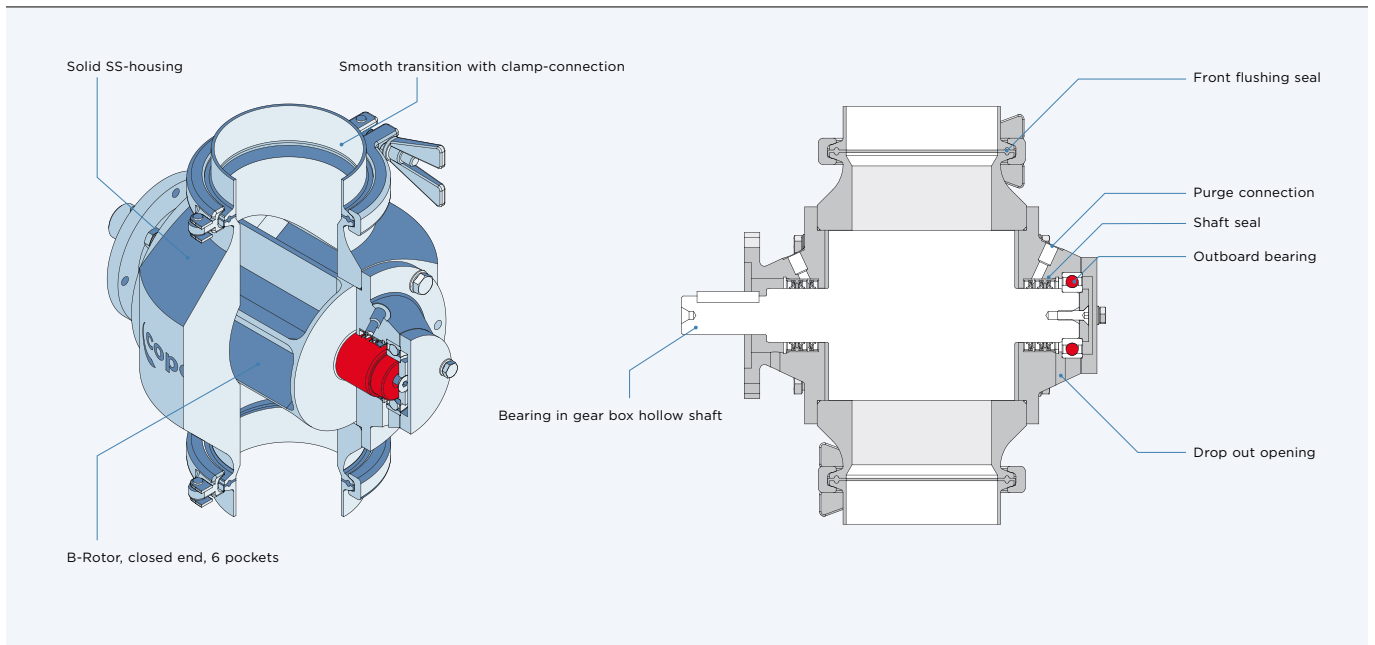


Rotary Valve ZZB



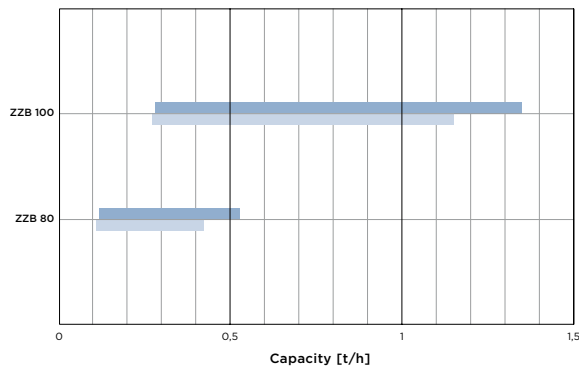
DISCHARGING- AND METERING-VALVE FOR POWDERS

- _Solid SS rotary valve for high hygienic standards
- _Polished surfaces Ra 0.8 μm in- and outside to avoid product deposits
- _Quickly opening clamp-connection for easy installation and maintenance



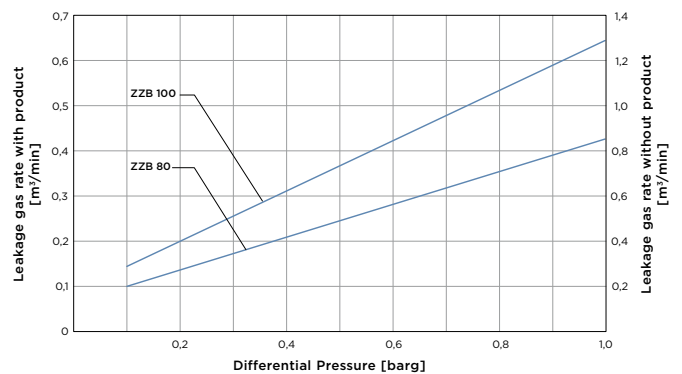
Performance diagram

- Powder with bulk density 1000 kg/m³ and 0.6 mm < d₅₀ < 1.0 mm, $\Delta p = 0.2$ barg
- Powder with bulk density 1000 kg/m³ and 0.15 mm < d₅₀ < 0.3 mm, $\Delta p = 0.2$ barg



Leakage gas diagram

(New, standard clearance 60°C, max. speed)

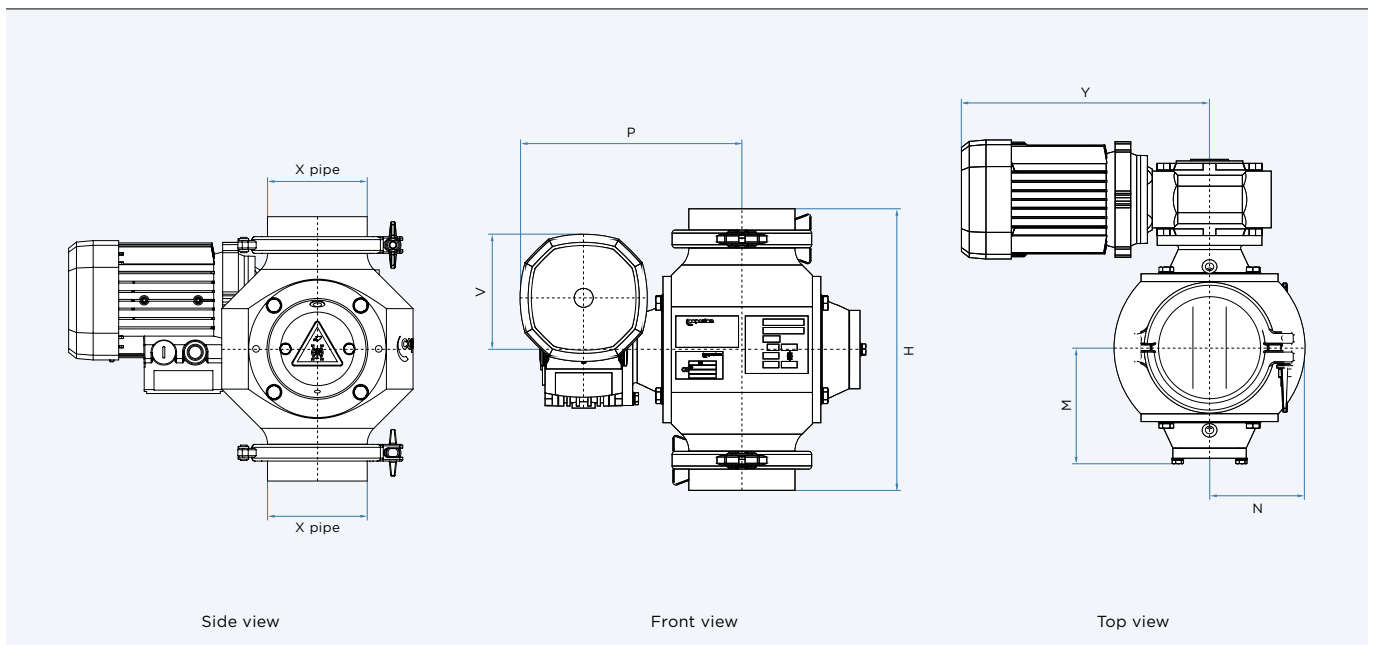


ROTARY VALVE FOR POWDERS | ZZB

- PRESSURE RANGE** 1 barg (14.5 psi) system and 0.2 barg (2.9 psi) differential pressure, option 1 barg (14.5 psi) differential pressure
- PRESSURE SURGE PROOF** 10 barg (145 psi), due to heavy duty design
- ATEX (OPTIONAL)** Usable in Ex-Zones, inside zone 0.20, outside zone 1.21
- LARGE INLET** Without restriction for max. capacities
- EASY CLEANING** Quick cleaning version as standard, rotor easily extendable
- OUTBOARD BEARINGS** Separated from product through drop out opening, shaft sealing optional seal purged

OPTIONS AND ACCESSORIES

- _ Chamfered blades
- _ D-Rotor (open end) → ZZD
- _ Rotor with 10 pockets for maximal 1 barg (14.5 psi) differential pressure



	Inlet			Other dimensions							Weight** appr. kg
	A1/A2 (DIN)	A1/A2 (ANSI)	Ø A1/A2	H	P*	X pipe	Y*	M	N	V*	
ZZB 80	ND 80	3"	72.9	206.4	248	72.9 x 1.65	297	90.1	72.5	99.5	10
ZZB 100	ND 100	4"	97.4	269.4	274	97.4 x 2.20	286	118.6	97.5	91.0	23

Dimensions in mm

* Dimensions may vary depending on installed drive

** Without drive