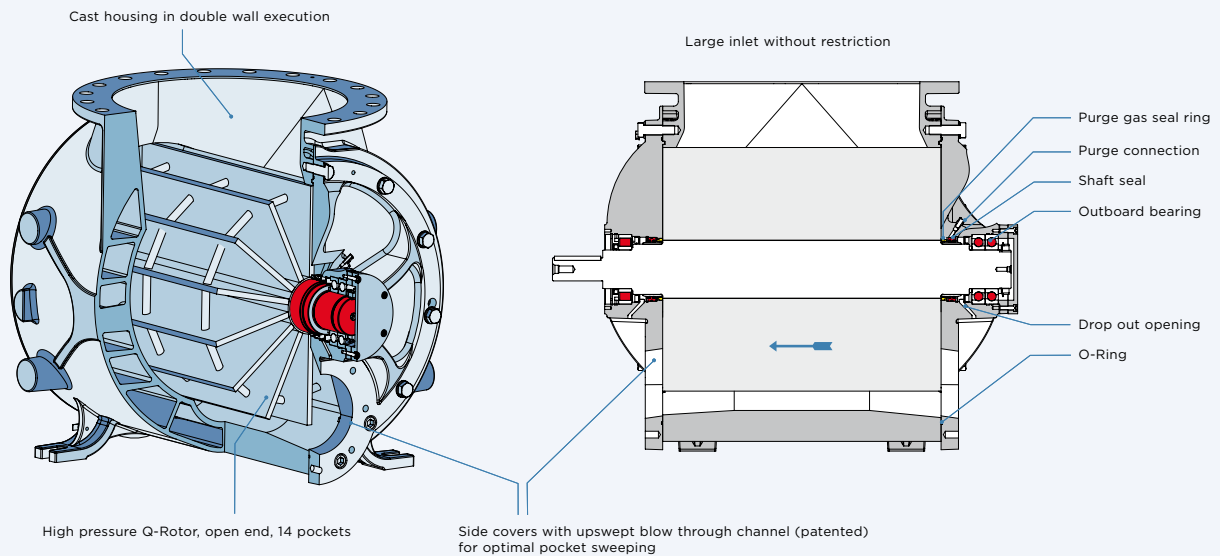


Rotary Valve ZXQ



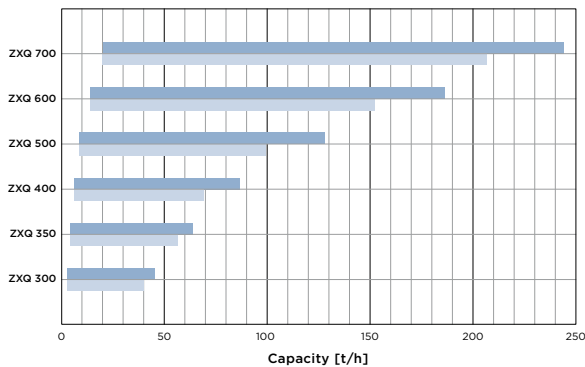
HIGH-PRESSURE BLOW-THROUGH VALVE FOR POWDERS

- _ Highest product capacities due to low leakage gas rates
- _ Designed for feeding bulk materials into pneumatic conveying systems at up to 3.5 barg (51 psi)



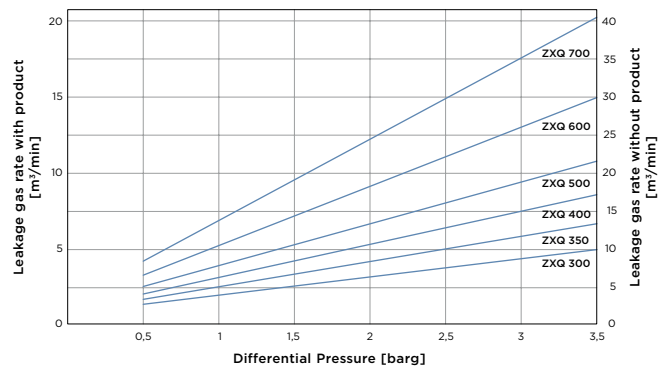
Performance diagram

- Powder with bulk density 1000 kg/m³ and 0.3 mm < d₅₀ < 0.6 mm, Δp = 2 barg
- Powder with bulk density 1000 kg/m³ and 0.075 mm < d₅₀ < 0.15 mm, Δp = 2 barg



Leakage gas diagram

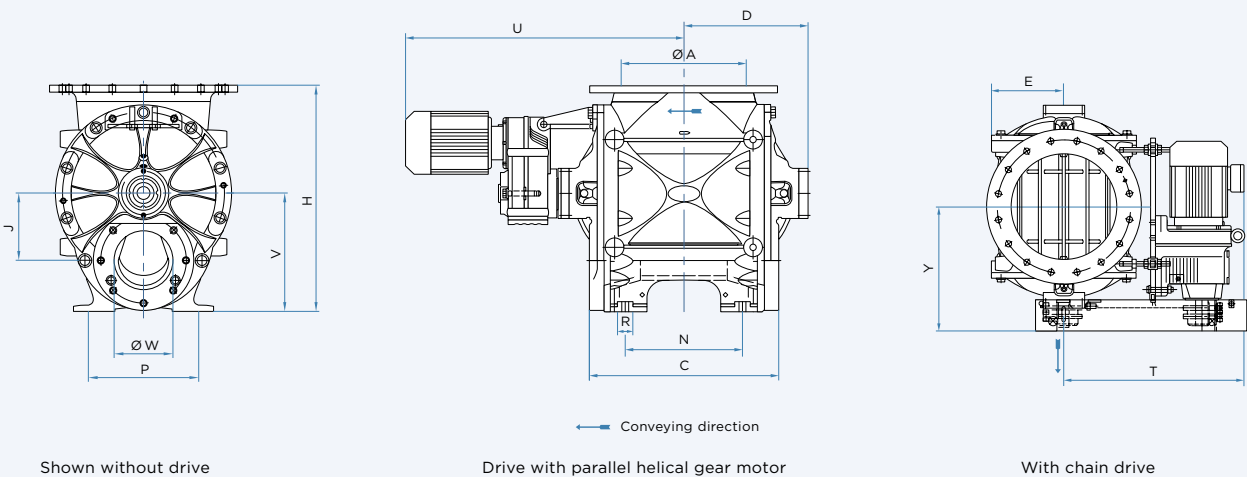
(New, standard clearance 60°C, max. speed)



ROTARY VALVE FOR POWDERS | ZXQ

PRESSURE RANGE 3.5 barg (51 psi) system and differential pressure
PRESSURE SURGE PROOF 10 barg (145 psi), due to heavy duty design
LOW MAINTENANCE Open end high pressure rotor with 14 pockets for low leakage gas rates
LARGE INLET Without restriction of the cross section for highest capacities
OUTBOARD BEARINGS Separated from product by purged seal arrangement and drop out opening
BLOW-THROUGH CHANNEL Optimal pocket sweeping at low pressure drop

OPTIONS AND ACCESSORIES
 _ Chamfered blades
 _ Suitable for Ex-Zones (ATEX)
 _ Heated housing



	Inlet*		Blow through channel			Mounting pattern			Other dimensions								Weight*** appr. kg	
	A (DIN)	A (ANSI)	∅ A	∅ W	J ₋₁ ¹	N	P	R	H ₋₁ ²	C ₋₁ ¹	D	E	Y	V ₋₁ ⁴	T**	U**	AL	SS
ZXQ 300	ND 300	12"	318	106	173	220	275	14	560	584	341	217	409	280	554	714	158	290
ZXQ 350	ND 350	14"	360	163	205	240	330	14	620	584	383	240	425	313	600	847	232	380
ZXQ 400	ND 400	16"	410	163	198	310	372	18	715	600	416	287	487	375	656	877	339	560
ZXQ 500	ND 500	20"	515	185	230	500	510	18	810	690	488	380	604	410	1020	985	/	876
ZXQ 600	ND 600	24"	610	209	280	654	540	23	955	810	557	455	669	470	1120	1146	/	1443
ZXQ 700	ND 700	28"	710	230	319	730	670	23	1200	960	709	528	872	580	1300	1355	/	2770

Dimensions in mm

* Drilled according to DIN PN 10 or ANSI 150 lbs

** Dimensions may vary depending on installed drive

*** Without drive