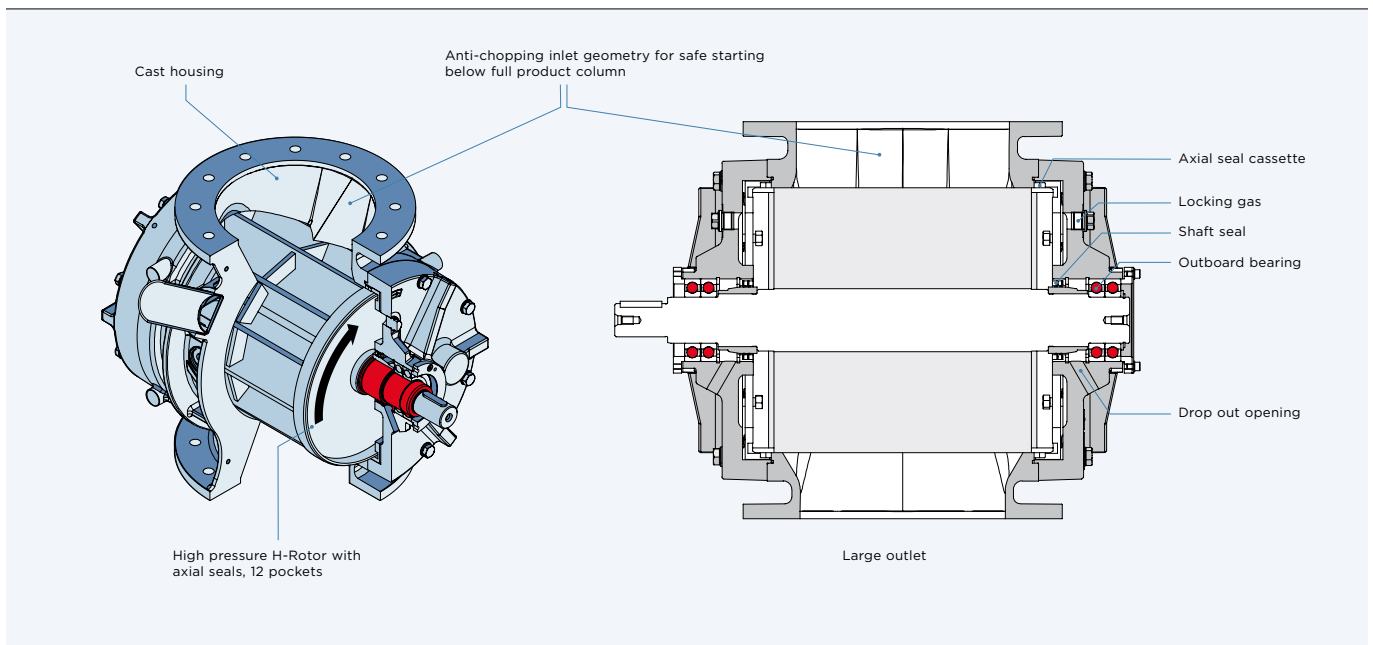


Rotary Valve ZVH



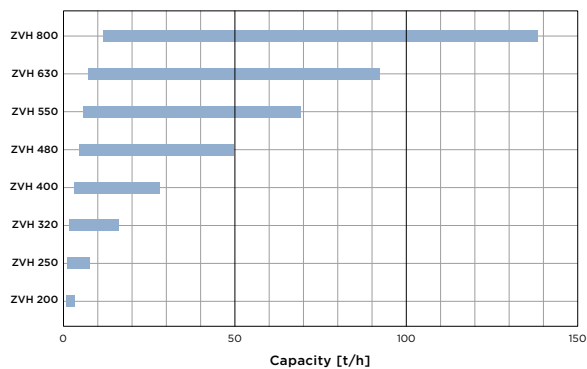
HIGH-PRESSURE DISCHARGING VALVE FOR GRANULAR PRODUCTS

- _ Max. capacity through ideal ratio of rotor volume and inlet cross section
- _ Special inlet geometry designed for gentle pellet handling
- _ With feeding shoe also suitable for feeding bulk materials into pneumatic conveying systems at up to 3.5 barg (51 psi)



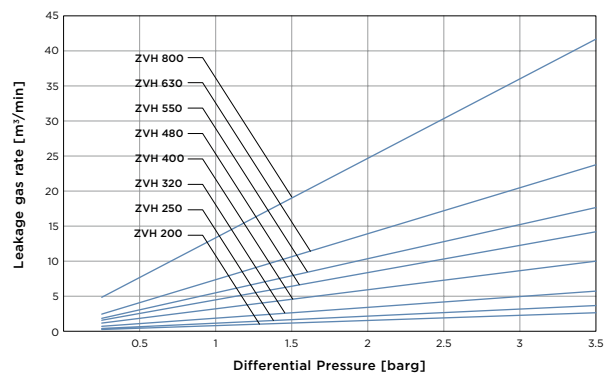
Performance diagram

PE/PP pellets with bulk density 520 kg/m³ and particle size 3 mm, Δp = 2.0 barg



Leakage gas diagram

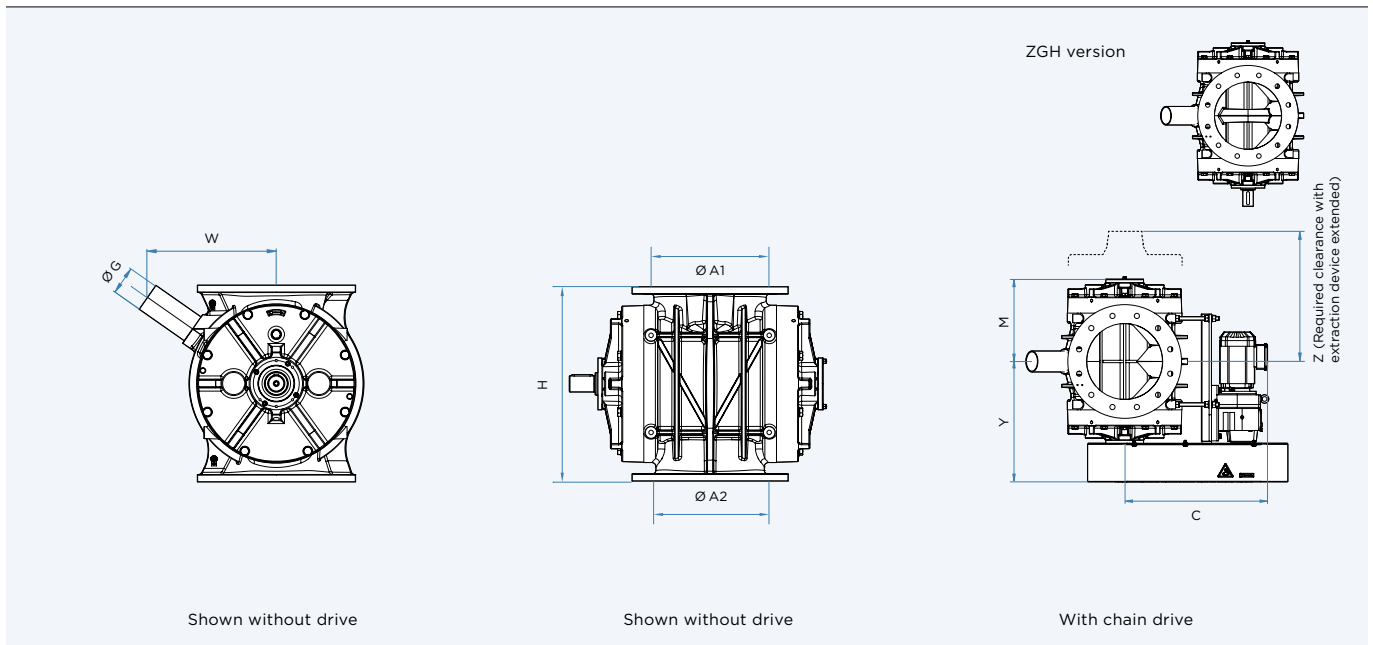
(New, standard clearance 60°C, max. speed)



ROTARY VALVE FOR GRANULAR PRODUCTS | ZVH

PRESSURE RANGE 3.5 barg (51 psi) system and differential pressure
PRESSURE SURGE PROOF 10 barg (145 psi), due to heavy duty design
ATEX (OPTIONAL) Usable in Ex-Zones
INLET FOR PELLETS Anti-chopping inlet geometry (patented) for safe starting below full product column
LOW LEAKAGE CAPACITY High pressure rotor with 12 pockets and axial seals
 High filling efficiency by internal leakage gas venting

OPTIONS AND ACCESSORIES
 _ Quick cleaning execution with extraction device
 _ Rotor with shallow pockets
 _ ZGH version (pellet deflection)
 _ Wear protection
 _ High temperature execution (T) up to 250°C
 _ Heated housing



	Inlet*/Outlet*		Other dimensions									Weight*** appr. kg	
	A1/A2 (DIN)	A1/A2 (ANSI)	ØA1	ØA2	H ^z ₋₁	C**	Y**	W	M*	Z**	ØG	AL	SS
ZVH 200	ND 150	6"	166	155	360	480	367	226	245	681	48,3	63,5	118
ZVH 250	ND 200	8"	213	207	450	510	391	278	272	755	60,3	85	156
ZVH 320	ND 250	10"	272	259	500	630	422	320	315	923	76,1	127	200
ZVH 400	ND 300	12"	322	310	600	705	510	393	359	1034	88,9	182	323
ZVH 480	ND 350	14"	360	350	750	800	560	464	420	1271	88,9	330	600
ZVH 550	ND 400	16"	410	400	850	805	627	542	480	1345	108,0	480	920
ZVH 630	ND 500	20"	500	450	970	855	682	589	530	/	108,0	690	1270
ZVH 800	ND 700	28"	700	680	1140	1380	880	756	610	/	168,3	1550	3050

Dimensions in mm

* Drilled according to DIN PN 10 or ANSI 150 lbs

** Dimensions are not valid for high temperature executions and may vary depending on installed drive

*** Without drive