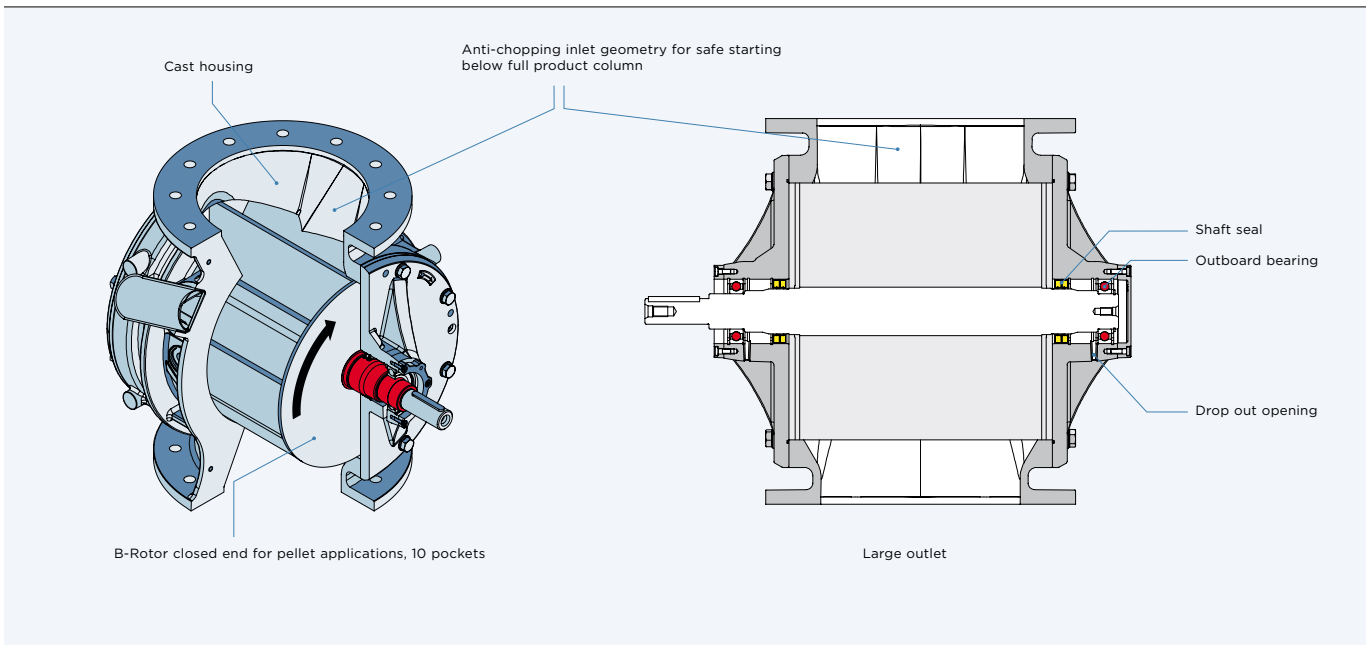


Rotary Valve ZVB



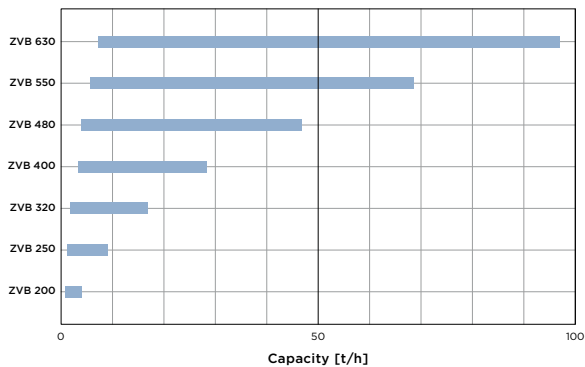
DISCHARGING VALVE FOR GRANULAR PRODUCTS

- _ Max. capacity through ideal ratio of rotor volume and inlet cross section
- _ Special inlet geometry designed for gentle pellet handling
- _ With feeding shoe also suitable for feeding bulk materials into pneumatic conveying systems at up to 1.5 barg (21 psi)



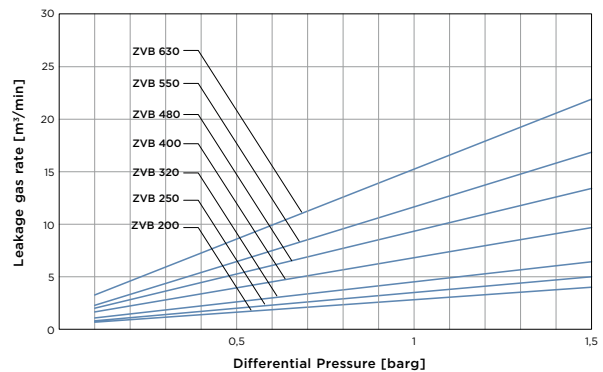
Performance diagram

PE/PP pellets with bulk density 520 kg/m³ and particle size 3 mm, Δp = 0.8 barg



Leakage gas diagram

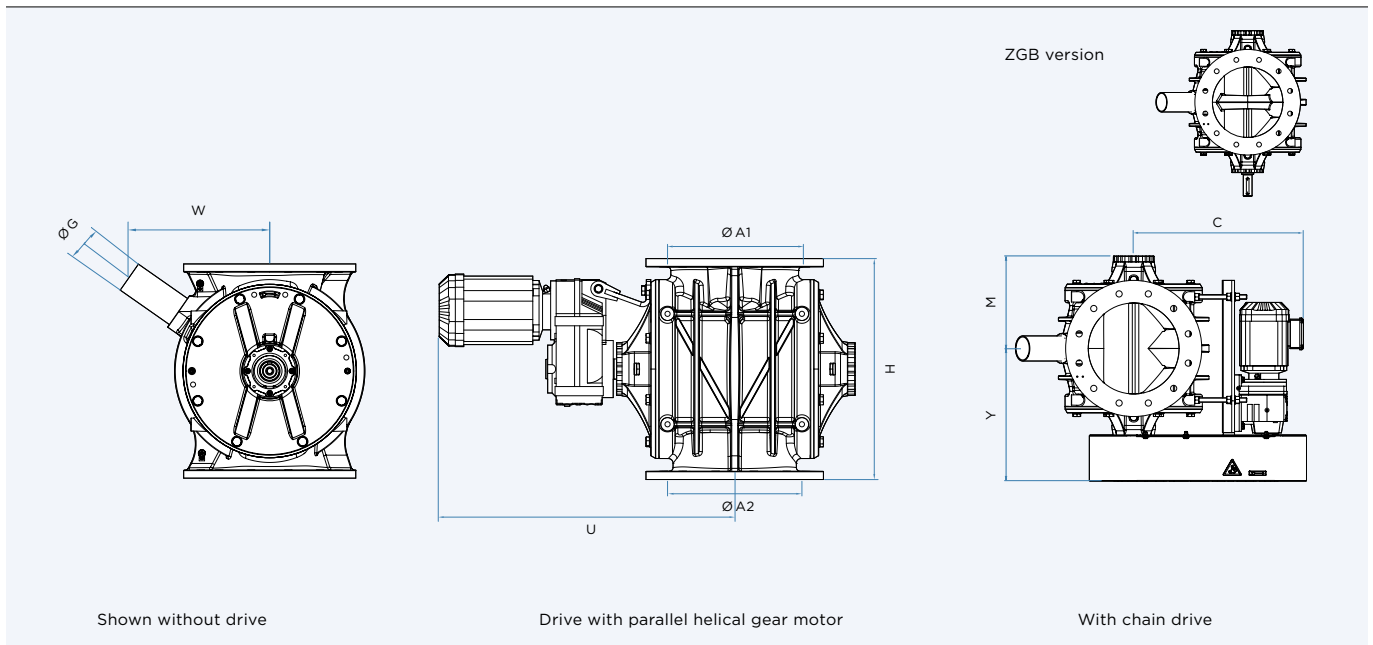
(New, standard clearance 60°C, max. speed)



ROTARY VALVE FOR GRANULAR PRODUCTS | ZVB

PRESSURE RANGE 1.5 barg (21 psi) system and differential pressure
PRESSURE SURGE PROOF 10 barg (145 psi), due to heavy duty design
ATEX (OPTIONAL) Usable in Ex-Zones
INLET FOR PELLETS Anti-chopping inlet geometry (patented) for safe starting below full product column
CAPACITY High filling efficiency by internal leakage gas venting

OPTIONS AND ACCESSORIES
 _ Rotor with shallow pockets
 _ ZGB version (pellet deflection)
 _ Wear protection
 _ High temperature execution (T) up to 250°C



	Inlet*/Outlet*		Other dimensions									Weight*** appr. kg	
	A1/A2 (DIN)	A1/A2 (ANSI)	Ø A1	Ø A2	H ^{±5} ₋₁	C**	Y**	W	M**	U**	Ø G	AL	SS
ZVB 200	ND 150	6"	166	155	360	490	328	226	216	350	48,3	30	48
ZVB 250	ND 200	8"	213	207	450	515	347	278	235	639	60,3	35	66
ZVB 320	ND 250	10"	272	259	500	635	391	320	282	683	76,1	52	80
ZVB 400	ND 300	12"	322	310	600	700	470	393	327	760	88,9	117	188
ZVB 480	ND 350	14"	360	350	750	755	540	464	372	940	88,9	320	480
ZVB 550	ND 400	16"	410	400	850	785	590	537	425	984	108,0	414	670
ZVB 630	ND 500	20"	500	480	970	840	670	584	492	1041	108,0	500	1000

Dimensions in mm

* Drilled according to DIN PN 10 or ANSI 150 lbs

** Dimensions are not valid for high temperature executions and may vary depending on installed drive

*** Without drive