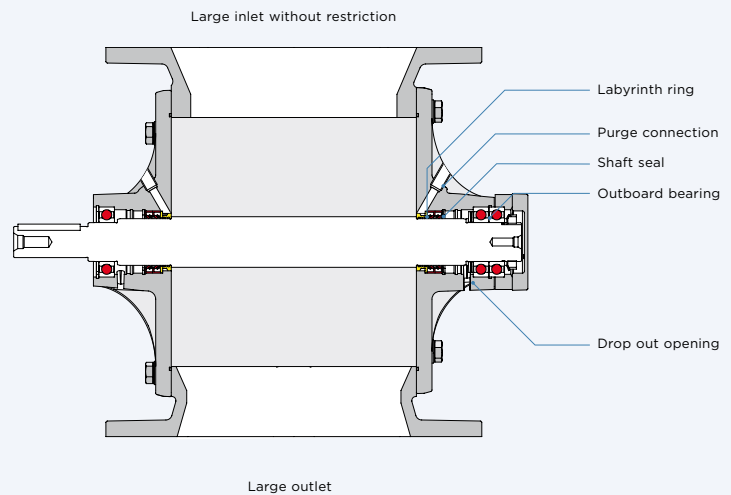
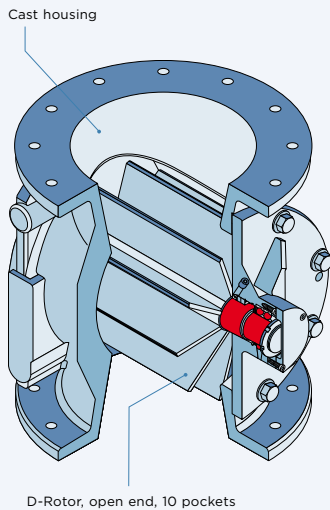


Rotary Valve ZRD



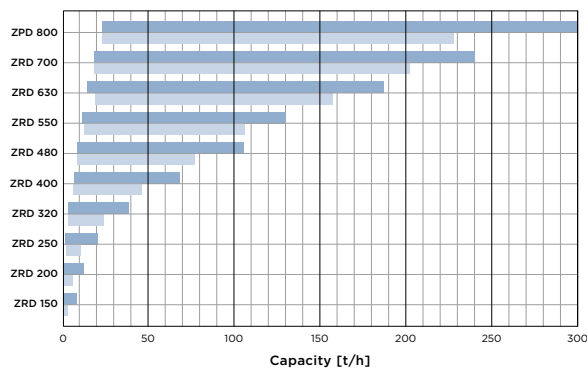
DISCHARGING- AND METERING-VALVE FOR POWDERS

- _ Large inlet for high capacities
- _ With feeding shoe also suitable for feeding bulk materials into pneumatic conveying systems at up to 1.5 barg (21 psi)
- _ Operation possible without leakage gas venting



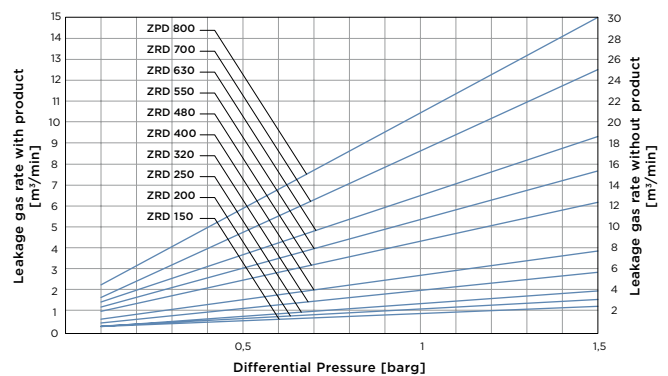
Performance diagram

- Powder with bulk density 1000 kg/m³ and 0.6 mm < d₅₀ < 1.0 mm, Δp = 0.8 barg
- Powder with bulk density 1000 kg/m³ and 0.15 mm < d₅₀ < 0.3 mm, Δp = 0.8 barg



Leakage gas diagram

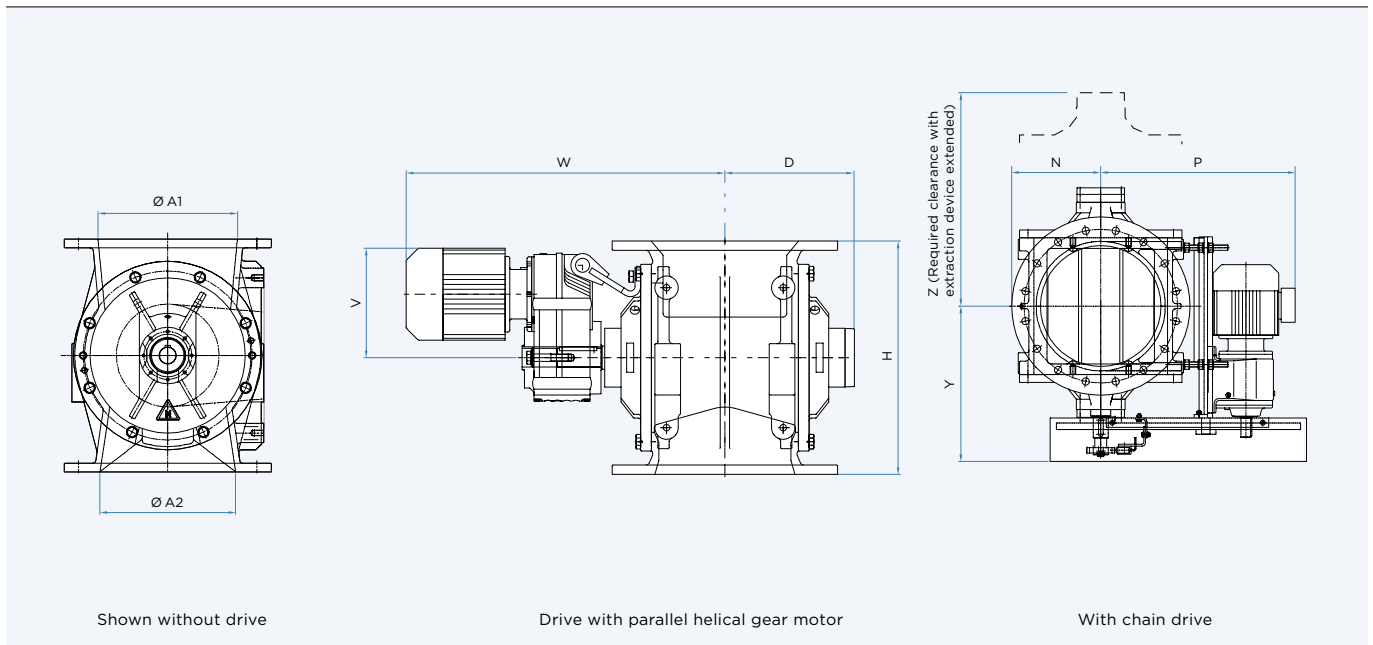
(New, standard clearance 60°C, max. speed)



ROTARY VALVE FOR POWDERS | ZRD

PRESSURE RANGE 1.5 barg (21 psi) system and differential pressure
PRESSURE SURGE PROOF 10 barg (145 psi), due to heavy duty design (ZPD 5 barg)
ATEX (OPTIONAL) Usable in Ex-Zones and as protection system (flameproof for dust ST2)
LARGE INLET/OUTLET Without restriction of the cross section for highest capacities
OUTBOARD BEARINGS Separated from product by purged seal arrangement and drop out opening

- OPTIONS AND ACCESSORIES**
- _ Quick cleaning coupling with extraction device
 - _ Chamfered blades
 - _ Rotor with shallow pockets
 - _ Knife at the product inlet
 - _ X-rotor → ZRX or C-rotor → ZRC
 - _ Wear protection
 - _ Sanitary version
 - _ High temperature execution (T) up to 250°C



	Inlet*/Outlet*			Other dimensions									Weight*** appr. kg	
	A1/A2 (DIN)	A1/A2 (ANSI)	Ø A1	Ø A2	H ₁ **	P**	Y	N	D	V**	W**	Z	AL	SS/GG
ZRD 150	ND 150	6"	166	155	260	372	235	143	185.0	220	539	568	20	36
ZRD 200	ND 200	8"	217	207	340	386	330	171	234.5	273	683	761	30	53
ZRD 250	ND 250	10"	272	259	400	416	349	206	253.0	289	724	786	40	80
ZRD 320	ND 300	12"	322	310	500	650	421	241	304.5	297	778	958	60	140
ZRD 400	ND 350	14"	354	341	600	730	474	267	352.0	321	844	1238	120	260
ZRD 480	ND 400	16"	410	400	750	815	553	299	409.0	382	1014	1271	270	490
ZRD 550	ND 500	20"	500	480	800	880	605	350	466.0	382	1110	/	370	690
ZRD 630	ND 600	24"	600	590	900	960	637	408	508.0	428	1166	/	550	1100
ZRD 700	ND 700	28"	710	695	1000	1075	688	459	560.0	517	1257	/	890	1600
ZPD 800****	ND 700	28"	700	680	1140	1380	800	756	561.0	517	1260	/	1420	3010

Dimensions in mm * Drilled according to DIN PN 10 or ANSI 150 lbs **** Different housing version *** Without drive
 ** Dimensions are not valid for high temperature executions and may vary depending on installed drive