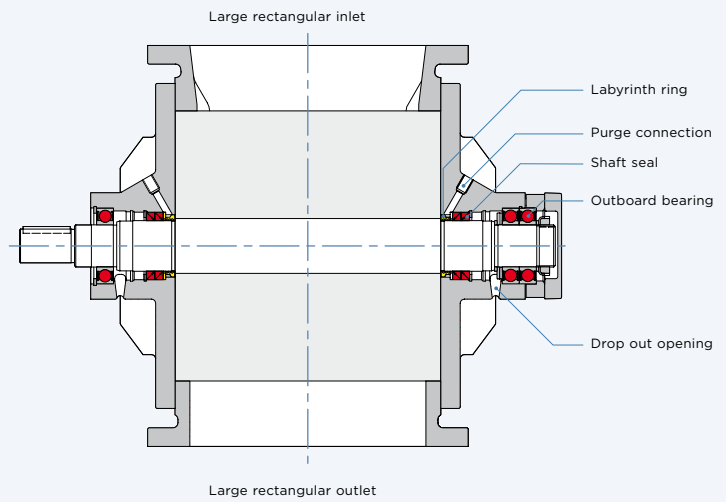
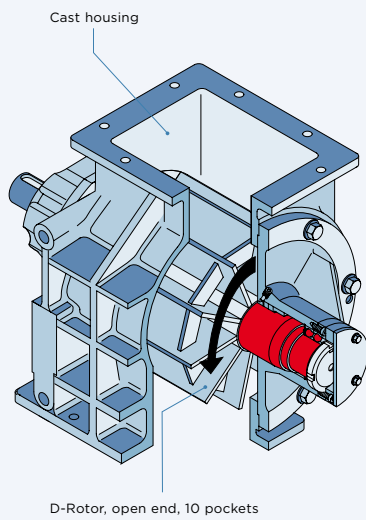


Rotary Valve ZKD



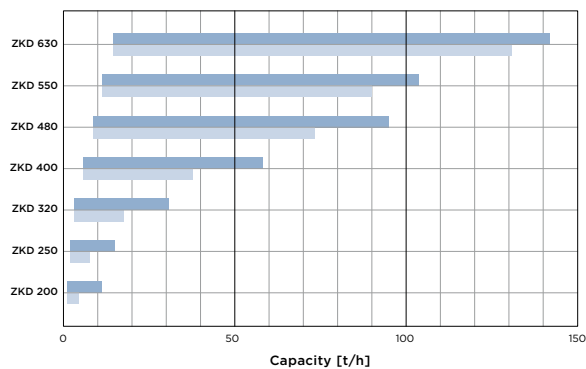
DISCHARGING- AND METERING- VALVE FOR POWDERS

- _ Solid housing with rectangular flange-connections
- _ With feeding shoe also suitable for feeding bulk materials into pneumatic conveying systems at up to 1.5 barg (21 psi)



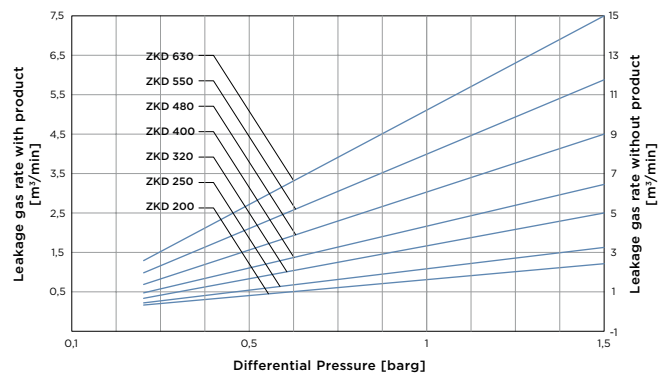
Performance diagram

- Powder with bulk density 1000 kg/m³ and 0.6 mm < d₅₀ < 1.0 mm, Δp = 0.8 barg
- Powder with bulk density 1000 kg/m³ and 0.15 mm < d₅₀ < 0.3 mm, Δp = 0.8 barg



Leakage gas diagram

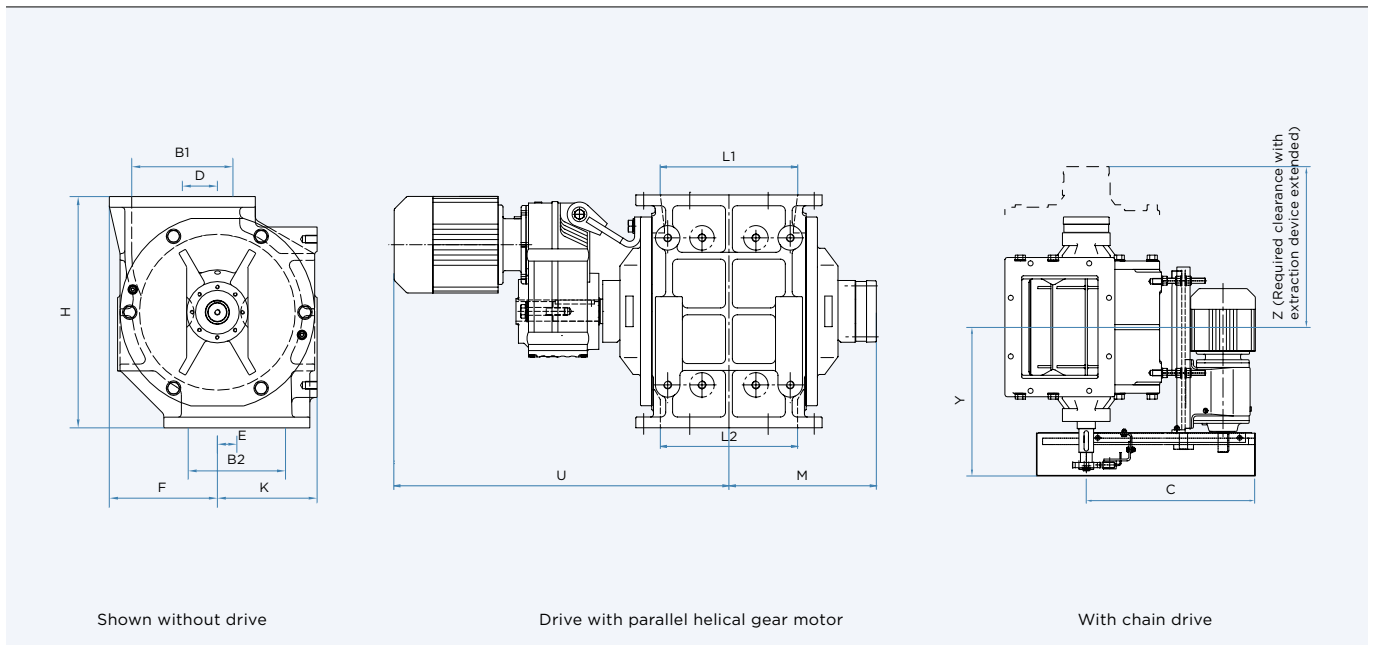
(New, standard clearance 60°C, max. speed)



ROTARY VALVE FOR POWDERS | ZKD

PRESSURE RANGE 1.5 barg (21 psi) system and differential pressure
PRESSURE SURGE PROOF 10 barg (145 psi), due to heavy duty design
ATEX (OPTIONAL) Usable in Ex-Zones and as protection system (flameproof for dust ST2)
INLET/OUTLET Rectangular design shape of housing corresponds to shape of rotor
OUTBOARD BEARINGS Separated from product by purged seal arrangement and drop out opening

- OPTIONS AND ACCESSORIES**
- _ Quick coupling with extraction device
 - _ Chamfered blades
 - _ Rotor with shallow pockets
 - _ Knife at the product inlet or scraper blades
 - _ X-rotor → ZKX or C-rotor → ZKC
 - _ Wear protection
 - _ High temperature execution (T) up to 250°C



	Inlet/Outlet		Offset (axes)		Other dimensions							Weight** appr. kg		
	L1xB1	L2xB2	D	E	H ^s ₋₁	C*	Y*	K	F	M*	Z*	U**	AL	SS/GG
ZKD 200	186 x 150	186 x 150	25	/	340	485	350	140	147	233	761	510	32	65
ZKD 250	220 x 178	220 x 170	54	20	400	485	385	165	174	252	786	560	42	90
ZKD 320	280 x 208	280 x 200	72	40	475	530	450	205	222	300	958	685	67	148
ZKD 400	370 x 268	350 x 260	80	50	600	585	490	247.5	260	356	1034	760	126	260
ZKD 480	460 x 300	450 x 300	60	20	700	730	570	300	270	415	1271	940	280	495
ZKD 550	500 x 320	490 x 320	100	30	800	900	630	330	330	470	/	1000	385	690
ZKD 630	600 x 400	590 x 400	45	/	900	1000	670	405	405	508	/	1110	700	1000

Dimensions in mm

* Dimensions are not valid for high temperature executions and may vary depending on installed drive

** Without drive