

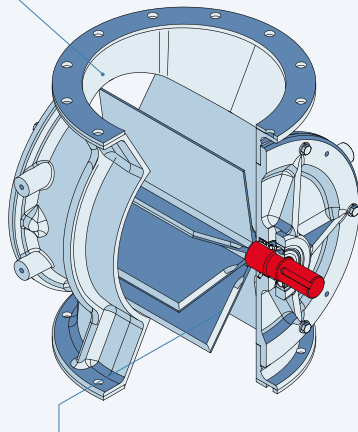
Rotary Valve ZHD



DISCHARGING- AND METERING-VALVE FOR POWDERS

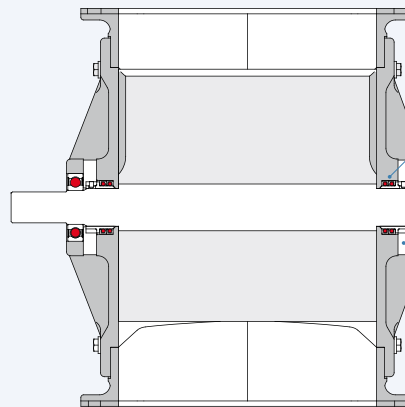
- _ Competitive cast iron valve with a large inlet, especially for discharge application
- _ With feeding shoe also suitable for feeding bulk materials into pneumatic conveying systems at up to 0.8 barg (12 psi)
- _ Operation possible without leakage gas venting

Cast housing



D-Rotor, open end, 8 pockets, chamfered blades

Large inlet without restriction



Shaft seal

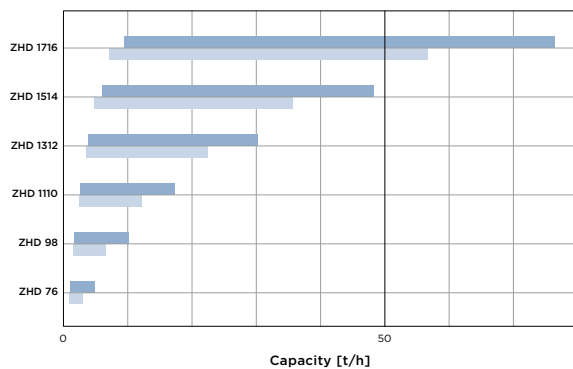
Outboard bearing

Drop out opening

Large outlet

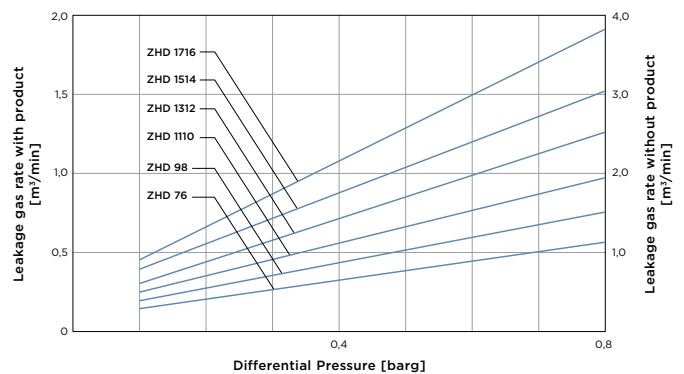
Performance diagram

- Powder with bulk density 1000 kg/m³ and 0.3 mm < d₅₀ < 0.6 mm, Ap = 0.5 barg
- Powder with bulk density 1000 kg/m³ and 0.075 mm < d₅₀ < 0.15 mm, Ap = 0.5 barg



Leakage gas diagram

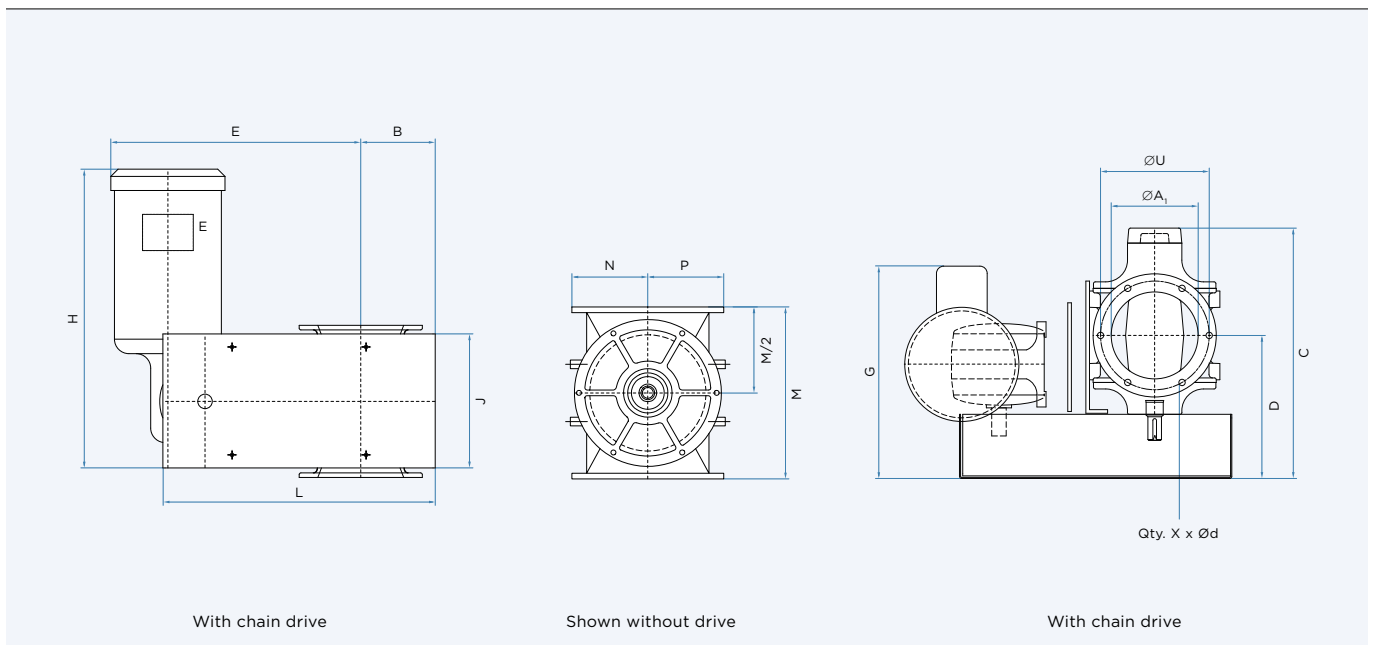
(New, standard clearance 100°C, max. speed)



ROTARY VALVE FOR POWDERS | ZHD

PRESSURE RANGE 0.8 barg (12 psi) system and differential pressure
LARGE INLET/OUTLET Large cross section for high discharge capacities
SHAFT SEAL PTFE compound seal, no purge gas required
OUTBOARD BEARINGS Separated from product by seal arrangement and drop out opening
FLANGE PATTERN Manufacturer standard

OPTIONS AND ACCESSORIES
 _ Without chamfered blades
 _ Wear protection
 _ Purge gas system for shaft seal



	Flange pattern of drilling			Other dimensions												Weight** appr. kg
	ØU	X	Ød	ØA ₁	B	C	D	E*	G*	H*	J	L	M	N	P	GG
ZHD 76	191	6	11	152	127	437	249	432	337	455.5	235	477	267	111	108	75
ZHD 98	241	6	11	203	140	491	276	464	349	474.5	298	528	305	143	133	97
ZHD 1110	305	6	11	254	165	557	314	491	362	520.5	362	655	381	172	165	140
ZHD 1312	362	6	14	305	200	592	324	530	367	635.5	362	655	457	203	197	180
ZHD 1514	413	12	14	356	225	670	375	559	386	673.5	457	770	533	238	222	249
ZHD 1716	470	12	14	406	251	721	400	587	411	734.0	457	770	610	267	254	346

Dimensions in mm

* Dimensions may vary depending on installed drive

** Without drive