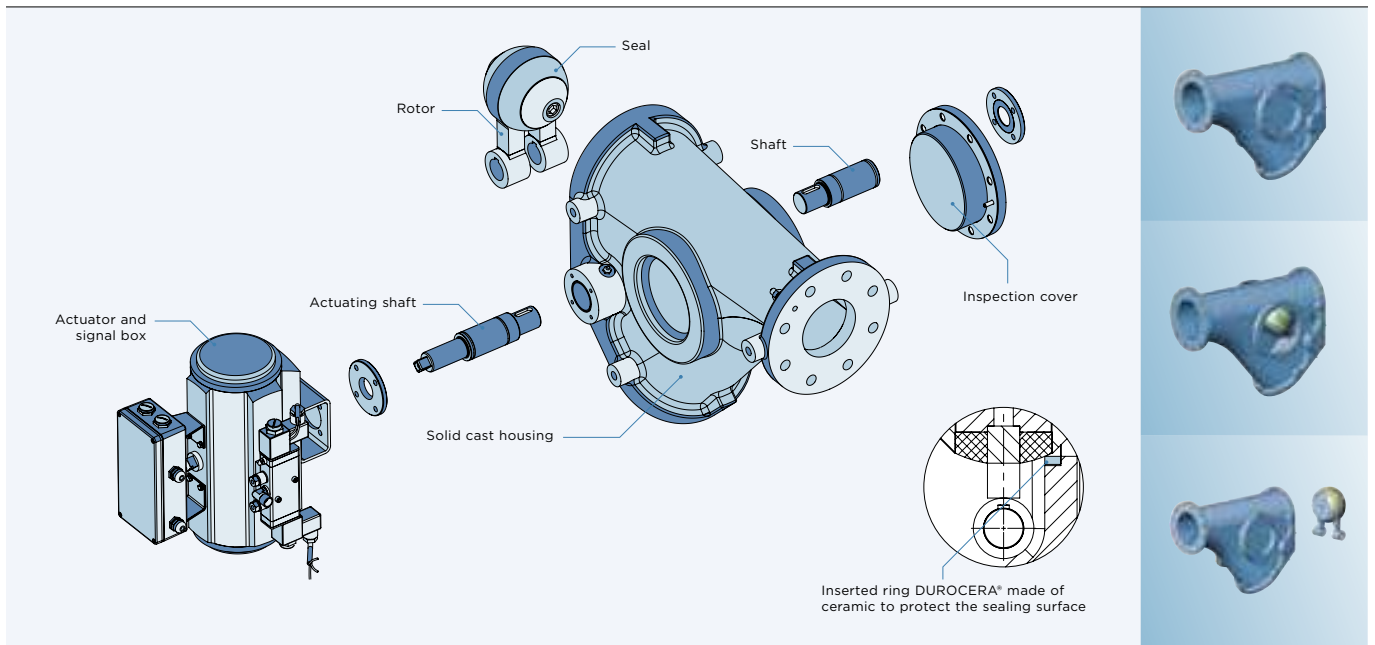


Two-Way-Diverter Valve WRK



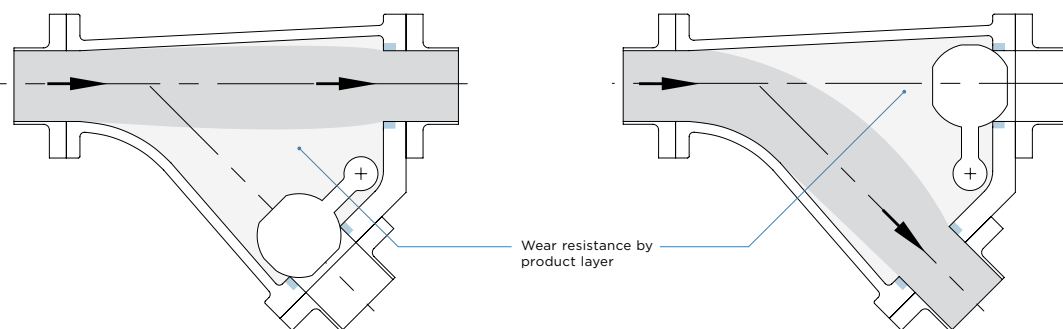
SOLID CAST IRON DIVERTER VALVE FOR POWDERS AND GRANULAR PRODUCTS

- _ Wear-protected diverter valve for abrasive products
- _ For the compact installation in conveying lines or in gravity pipes at up to 4 barg



Straight through

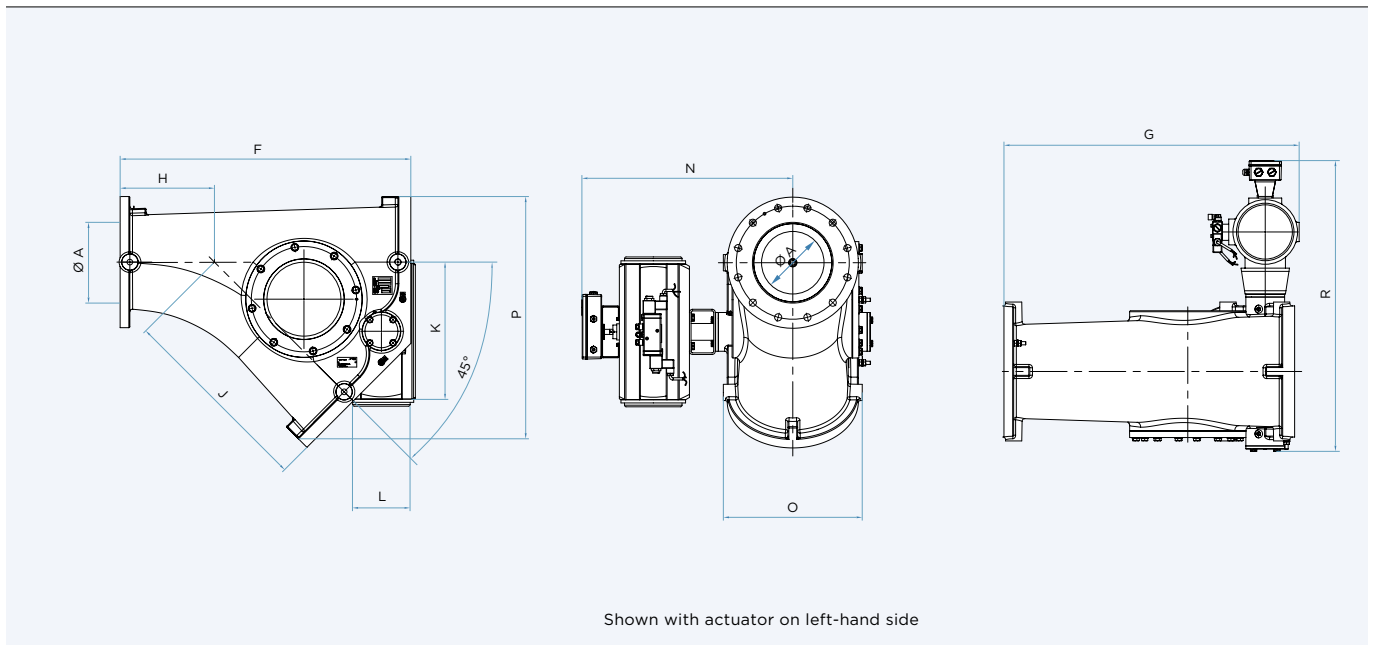
Diverted



DIVERTER VALVE FOR POWDERS AND GRANULAR PRODUCTS | WRK

PRESSURE RANGE 4 barg (58 psi) system and differential pressure
PRESSURE SURGE PROOF (OPTIONAL) 10 barg (145 psi) due to heavy duty design (on request)
OPERATION TEMPERATURE -20°C up to 100°C
APPLICATION Suitable for fluid group 2 according PED (fluid group 1 on demand)
SEAL CONFIGURATION Rotor with elastomer seal
MATERIAL OF CONSTRUCTION Cast iron with wear protection rings made of ceramics

OPTIONS AND ACCESSORIES
 _ Applicable in Ex-Zones with additional accessories
 _ Second inspection cover
 _ Switchable with product (individual approval required)
 _ Actuator on the right-hand side



	Inlet*/Outlet*		Other dimensions										Weight appr. kg	
	A (DIN)	A (ANSI)	Ø A	F	G	H	J	K	L	N	O	P	R	GG
WRK 100	ND 100	4"	100	520	515	132	388	274	114	460	270	470	624	120
WRK 125	ND 125	5"	125	600	605	147	453	320	133	511	290	537	688	150
WRK 150	ND 150	6"	150	700	708	202	498	352	146	541	320	595	736	180
WRK 200	ND 200	8"	200	770	782	242	528	373	155	606	370	666	827	230
WRK 250	ND 250	10"	250	900	949	292	608	430	178	702	430	777	950	330

Dimensions in mm

* Drilled according to DIN PN 10 and outlet with metric thread or ANSI 150 lbs and outlet with thread in inch