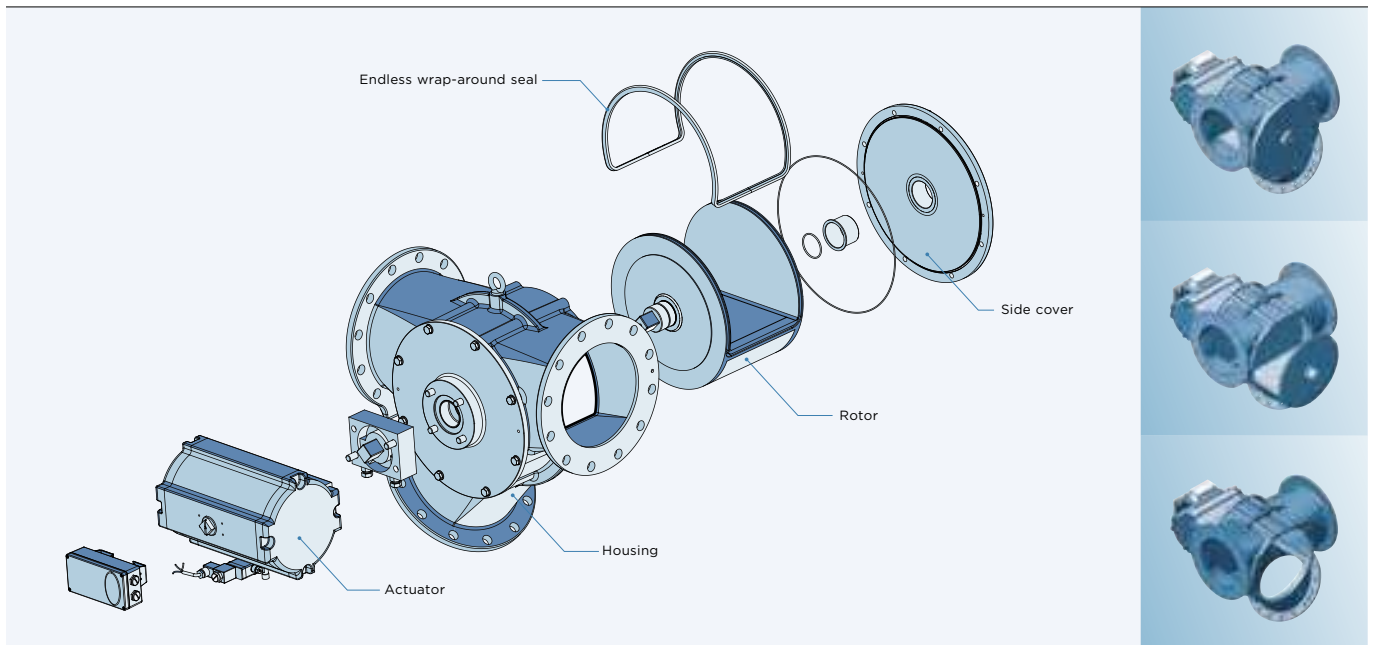


Two-Way-Diverter Valve WHK

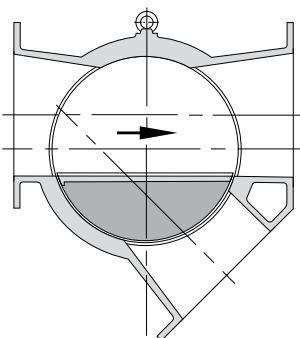


COMPACT SINGLE CHANNEL DIVERTER VALVE FOR POWDERS AND GRANULAR PRODUCTS

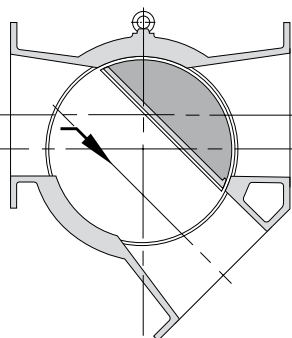
- _ With sealed rotor and 45° outlet
- _ For space-saving installation in conveying lines or in gravity pipes at up to 3 barg



Straight through



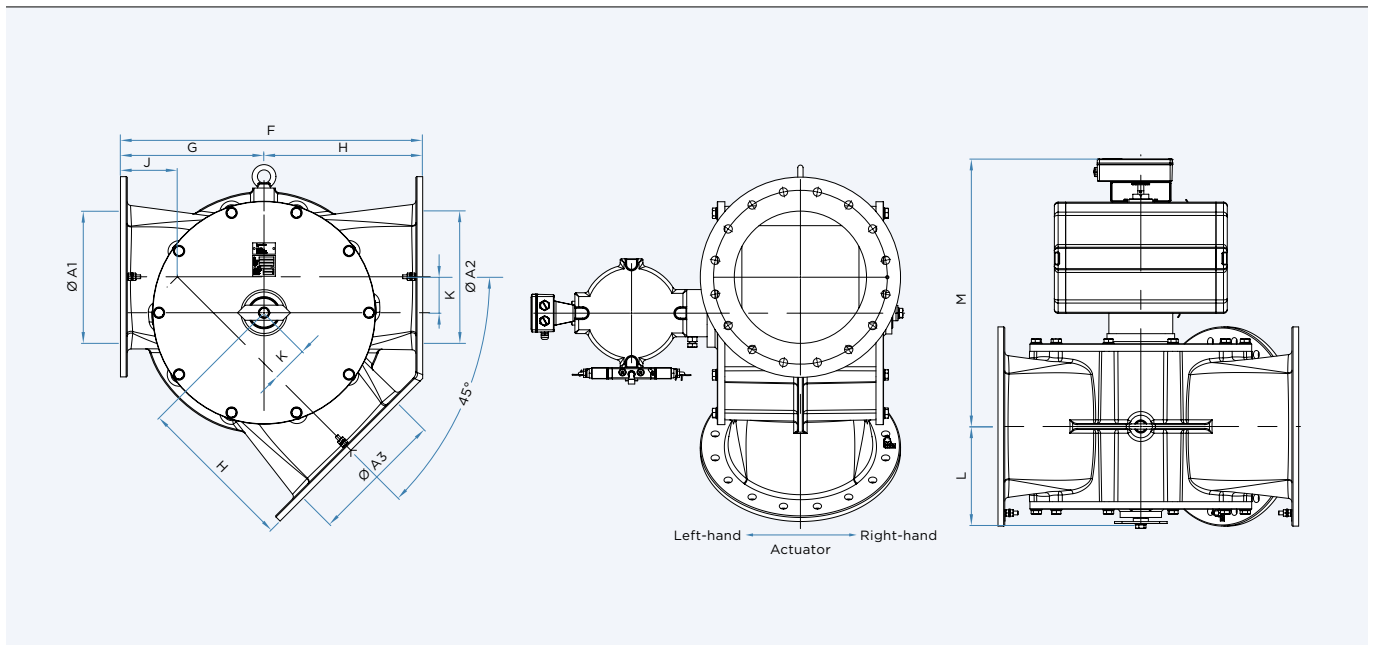
Diverted



DIVERTER VALVE FOR POWDERS AND GRANULAR PRODUCTS | WHK

PRESSURE RANGE 3 barg (43 psi) system and differential pressure
OPERATION TEMPERATURE -20°C up to 100°C
APPLICATION Suitable for fluid group 2 according PED (fluid group 1 on demand)
SEAL CONFIGURATION Endless wrap-around seal
MATERIAL OF CONSTRUCTION Stainless steel

OPTIONS AND ACCESSORIES
 _ Applicable in Ex-Zones with additional accessories
 _ Actuator on the left-hand or right-hand side
 _ Quick cleaning design
 _ Special execution for PTA/CTA applications



	Inlet*/Outlet*						Other dimensions							Weight appr. kg	
	A1/A2/A3 (DIN)	A1/A2/A3 (ANSI)	Ø A1	Ø A2	Ø A3	F	G	H	J	K	L	M	AC	SS	
WHK 150	ND 150	6"	162	162	162	460	220	240	109	46	152	453		100	
WHK 200	ND 200	8"	212	212	212	530	250	280	112	57	180	529		165	
WHK 250	ND 250	10"	265	265	265	680	340	340	161	74	216	630		220	
WHK 300	ND 300	12"	316	316	316	750	355	395	150	85	250	657	195	348	
WHK 350	ND 350	14"	350	355	355	800	380	420	151	95	271	713		450	
WHK 400	ND 400	16"	406	406	406	900	420	480	153	110	300	781		700	

Dimensions in mm

* Drilled according to DIN PN 10 or ANSI 150 lbs