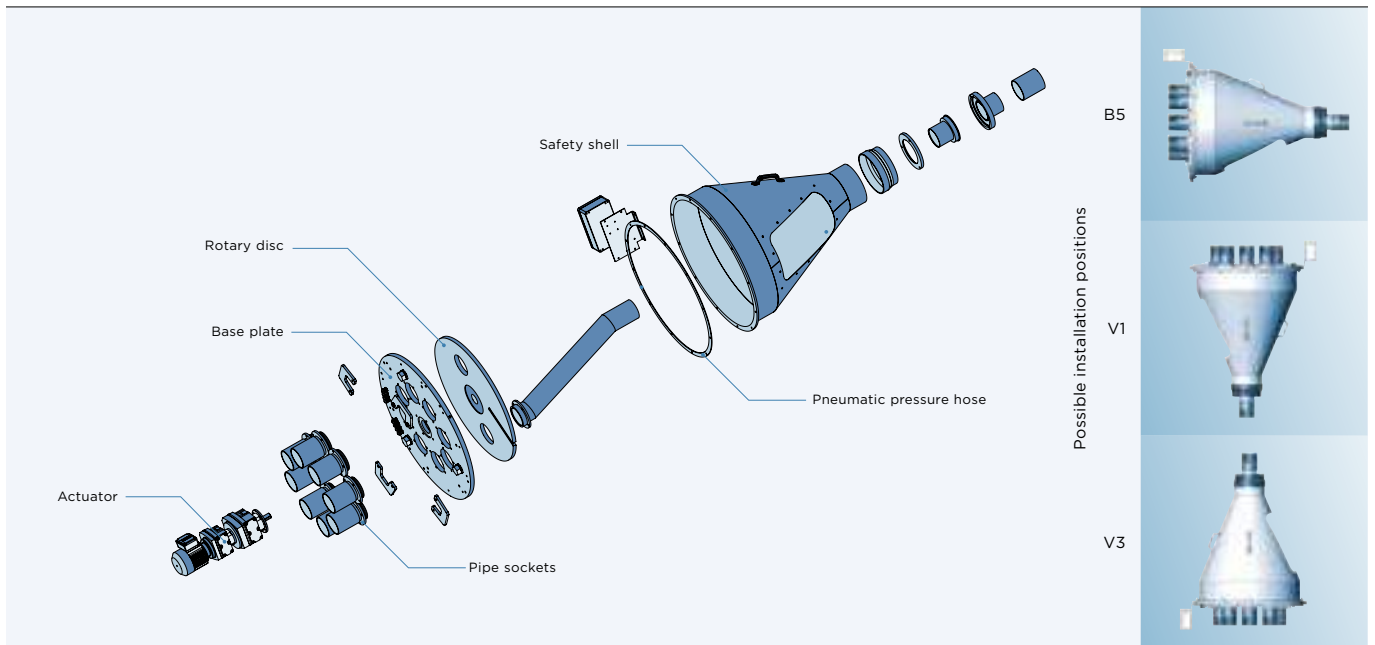


Multi-Way-Diverter Valve DWR

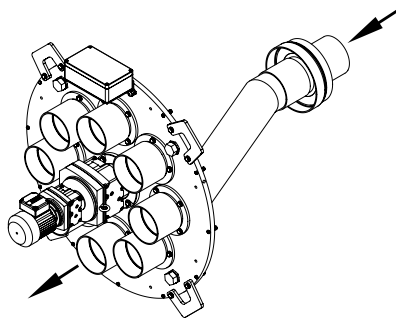


MULTI-WAY DIVERTER VALVE FOR POWDERS AND GRANULAR PRODUCTS

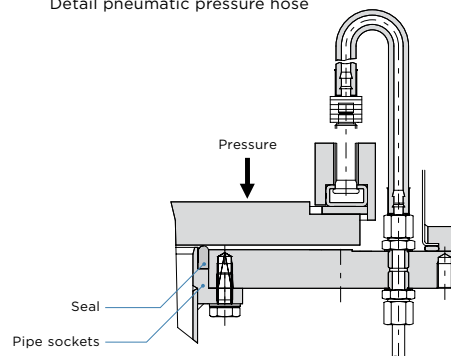
- _ With rotary disc with up to 13 ports
- _ For installation in conveying lines at up to 1 barg



Function



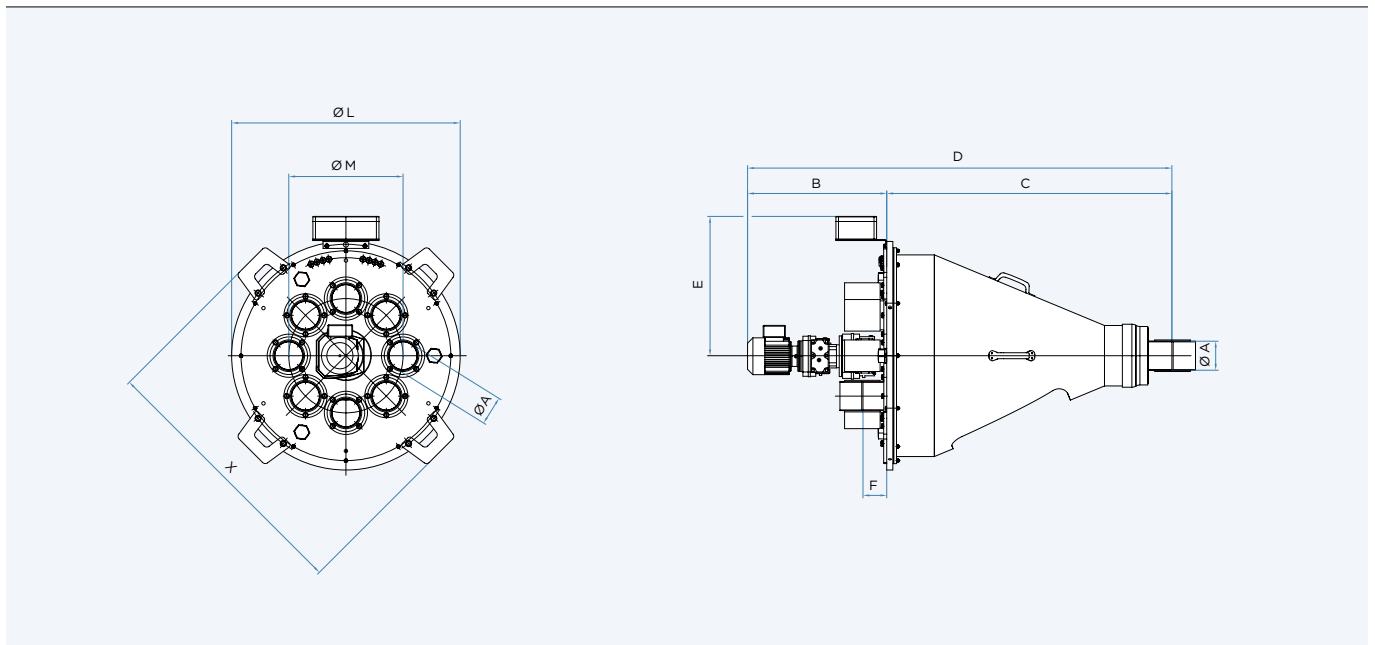
Detail pneumatic pressure hose



DIVERTER VALVE FOR POWDERS AND GRANULAR PRODUCTS | DWR

PRESSURE RANGE 1 barg (15 psi) system and differential pressure
OPERATION TEMPERATURE -20°C up to 100°C
APPLICATION Suitable for fluid group 2 according PED (fluid group 1 on demand)
SEAL CONFIGURATION Inserted and pressure assisted seal at each part
MATERIAL OF CONSTRUCTION Stainless steel

OPTIONS AND ACCESSORIES
 _ Reinforced execution for 4 barg (58 psi) system and differential pressure (only DWR 11 up to ND 150)
 _ ATEX execution for zone 22



| | Inlet/Outlet | | | | Other dimensions | | | | | | | | Weight appr. kg | |
|--------|--------------|----------|-------------|--------------|------------------|------|------|-----|-----|-----|------|------|-----------------|--|
| | A (DIN) | A (ANSI) | ØA (pipe) | No. of ports | B | C | D | E | F | M | L | X | SS | |
| DWR 9 | ND 50 | 2" | 60.3 x 2.6 | 3-8 | 600 | 1085 | 1685 | 570 | 100 | 450 | 900 | 1060 | 310 | |
| DWR 9 | ND 65 | 2.5" | 76.1 x 2.6 | 3-8 | 600 | 1085 | 1685 | 570 | 100 | 450 | 900 | 1060 | 310 | |
| DWR 9 | ND 80 | 3" | 88.9 x 2.9 | 3-8 | 600 | 1085 | 1685 | 570 | 100 | 450 | 900 | 1060 | 310 | |
| DWR 9 | ND 100 | 4" | 114.3 x 2.6 | 3-8 | 600 | 1115 | 1715 | 570 | 100 | 450 | 900 | 1060 | 310 | |
| DWR 9 | ND 125 | 5" | 139.7 x 3.0 | 3-6 | 600 | 1115 | 1715 | 570 | 100 | 450 | 900 | 1060 | 310 | |
| DWR 11 | ND 50 | 2" | 60.3 x 2.6 | 9-13 | 600 | 1180 | 1780 | 663 | 100 | 620 | 1100 | 1290 | 380 | |
| DWR 11 | ND 65 | 2.5" | 76.1 x 2.6 | 9-13 | 600 | 1180 | 1780 | 663 | 100 | 620 | 1100 | 1290 | 380 | |
| DWR 11 | ND 80 | 3" | 88.9 x 2.9 | 9-12 | 600 | 1180 | 1780 | 663 | 100 | 620 | 1100 | 1290 | 380 | |
| DWR 11 | ND 100 | 4" | 114.3 x 2.6 | 9-11 | 600 | 1210 | 1810 | 663 | 100 | 620 | 1100 | 1290 | 380 | |
| DWR 11 | ND 125 | 5" | 139.7 x 3.0 | 7-9 | 600 | 1210 | 1810 | 663 | 100 | 620 | 1100 | 1290 | 380 | |
| DWR 11 | ND 150 | 6" | 168.3 x 3.0 | 3-8 | 600 | 1210 | 1810 | 663 | 100 | 620 | 1100 | 1290 | 380 | |
| DWR 11 | ND 200 | 8" | 219.0 x 3.0 | 3-6 | 600 | 1205 | 1805 | 663 | 100 | 620 | 1100 | 1290 | 380 | |

Dimensions in mm