

## CS3600 PlusLine Casewigher

### Robust, Dependable Accuracy



#### Product Handling Flexibility

Customizable with 150 performance and productivity enhancing options. Vibration-decoupled sorting/rejecting devices and specialized guide rails ensure flawless product flow.



#### Robust Construction for Heavy Loads

Rugged construction ensures dependable and precise weighing of heavy loads. A very economical and efficient weighing solution, suitable for use in dry and washdown production processes and environments.



#### Data Collection to Support Compliance

More than ten data communication protocols including Ethernet, Fieldbus and OPC technologies to provide the fullest suite of data collection tools available. Supports Industry 4.0 integration projects.



#### Metal Detector Connection

Available with a metal detector input contact to trigger optional rejecting devices or allow conveyor shutdown for contaminated products. Ideal for use as a Critical Control Point for best quality and safeguarding brand reputation.



#### Global Service Support

An extensive global service network fully supports cross-border contracts and ensures timely support, availability, and quick delivery of spare parts. This reduces downtime and keeps production running smoothly.



### CS3600 PlusLine

#### High Loads in Demanding Environments

A conveyor speed of up to 300 ft/min (91.4 m/min), a weighing range up to 220 lbs (100 kg), and very high weighing accuracy positions the CS3600 PlusLine at the forefront of heavy load checkweighing technology.

This robust checkweigher is ideal for manufacturers with high load application requirements in challenging working environments. It offers convenient access to all major components for simplified cleaning and maintenance. The belt design allows for quick and easy tracking, tensioning, and change out. It can fulfill the most demanding system integration requirements, and is ideal for end of line completeness checking and 100 percent weight monitoring of single large products. The 7" or 12" multilingual touchscreen can be positioned in proximity to the machine or mounted in front of the conveyor for maximum operator comfort and safety.

# CS3600 PlusLine Caseweigher

## Exceptional Heavy-Duty Weighing Capacity

Available in 12 standard sizes, two different capacities, and covers a broad range of applications. An extensive array of accessories are available to complete the system including: infeed and outfeed conveyors, rejectors, and sensors for open flaps or bar code readers.

### General Technical Data

Approvals and listings	UL508A Industrial Control Panel
Weights & Measures	NTEP Certificate of Conformance 05-065; 60 lbs x .02 lbs; 100 lbs x .05 lb
Weighing technology	Strain gauge principle with digital filtering technology; maintenance-friendly
Weighing terminal (HMI), Integrated	7" or 12" color touchscreen Thin-Film Transparency (TFT) display, with emergency stop switch, individual user access profiles with password protection, more than 30 selectable languages for the dialog/prompts; display of all key up-to-date weight data, production and configuration screens as well as Weights and Measures information; tare weight functionality, real-time data capture and distribution
Conveyor belt speed	Continuously variable speed ranges
Conveyor belt materials	Seamless black belt for general industrial environments, white food-contact belt for washdown

### Options and Accessories – Mechanical / Electromechanical

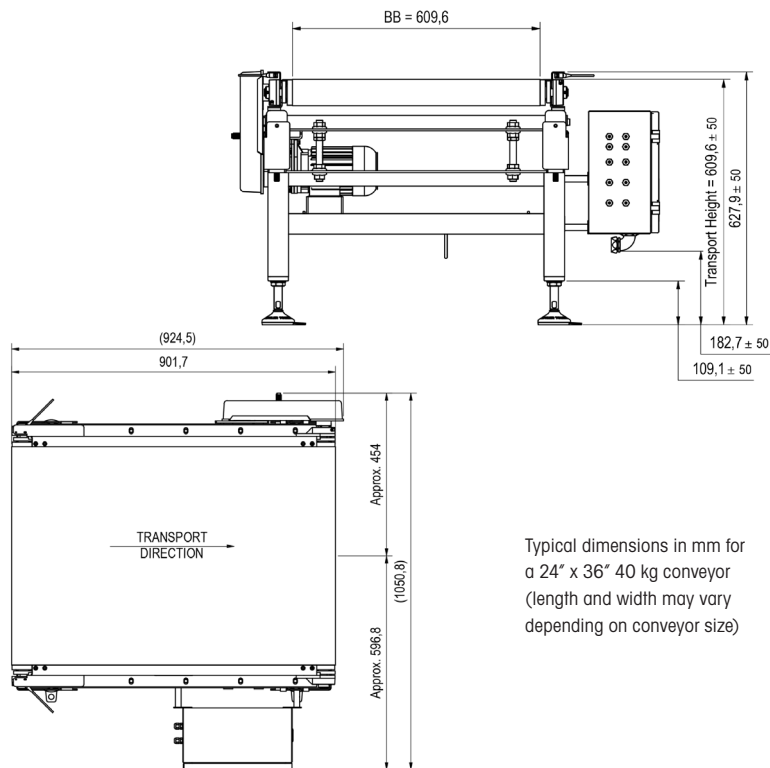
- Infeed conveyors, outfeed conveyors, roller paths
- Guide rails
- Covers and safeguards
- Machine mounted HMI
- Rejecting equipment e.g. pusher, two-way roller path to ensure efficient removal of rejected products
- Increased water ingress protection

### Options and Accessories – Electronic / Software

- Automatic filling process readjustment with feedback control
- Data interfaces and protocols e.g. Fieldbus (DeviceNet, PROFINET, PROFIBUS), OPC DA and UA, RS232/422/485, CL20 active/passive, industrial Ethernet/IP
- Monitoring and alarm options e.g. back-up detection and successive errors detection as well as color-coded and/or acoustic signaling devices to allow immediate reaction to production line problems
- Interface to the METTLER TOLEDO statistical quality control system FreeWeigh.Net™ or ProdX™ data management system for remote access and enhanced insight in production processes
- Extensive statistical functions
- Special voltages on request
- Input contact for metal detector

Other options and accessories available

**METTLER TOLEDO Service** with global reach and tailored care solutions



Typical dimensions in mm for a 24" x 36" 40 kg conveyor (length and width may vary depending on conveyor size)

Technical Details	CS3600 PlusLine				
Throughput*	Maximum 150 products / min				
Maximum conveyor speed	300 ft / min (91.4 m / min)				
Maximum product width	30 in (762 mm)				
Line height (TH), other heights avail.	22-40 in (559-1016 mm)				
Noise level, standard system at full speed**	Less than 70 dBA at 1 m height and 1 m distance				
Product (article) setup memory	Up to 400 products				
Classification	3 or 5 weight zones				
Zero reset	Automatic or manual				
Signals and contacts	Reject control signal for reject devices, contact for over max weight and under min weight				
Power requirements	115 / 230 VAC, single-phase, 230/460 VAC, 3-phase, 60 Hz				
Ingress protection rating	IP54, optional IP65				
Standard surface finish	Mild and stainless steel				
Conveyor belt widths (in / mm)	12 / 305	18 / 457	24 / 610	24 / 610	30 / 762
Conveyor belt lengths (in / mm)	21 / 533	24 / 610	36 / 914	36 / 914	48 / 1219
	24 / 610	30 / 762		48 / 1219	60 / 1524
	30 / 762	36 / 914		60 / 1524	72 / 1829
Maximum weighing capacities (kg)	40			100	
Accuracy***	From ±15 g			From ±27 g	
Pulley diameter (in)	2.5			4	
Pulley construction	1045 CRS (general industrial) 304 SS (washdown)				

\* Within official margins of error, depending on the weight, dimensions and transport characteristics of product being weighed

\*\* Certain conveyor and sorting/rejecting device options may increase the system noise level

\*\*\* Depending on product weight and the design and dimensions of the weighing conveyor being used

[www.mt.com/pi](http://www.mt.com/pi)

For more information



### Mettler-Toledo Group

Product Inspection Division

Local contact: [www.mt.com/contacts](http://www.mt.com/contacts)

Subject to technical changes. Images are examples only.

© 2021 Mettler-Toledo GmbH.

DS-CW-PIUS-CS3600-072821b