

Bulk Bag Discharger



Application Details:

NBE CSO: E102010049

Material: Granular Sugar & Whole Wheat

Density: 65 lbs/ft³

Particle Size: Varies

Flowability: Fairly free flowing

Area Classification: ATEX Zone 22 within 1.5 meter of dust escape zone

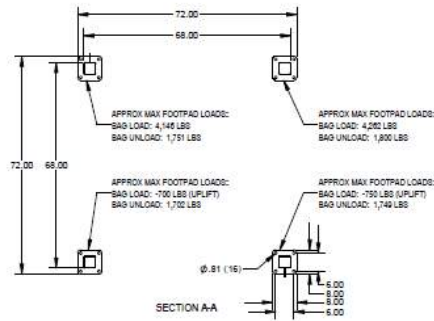
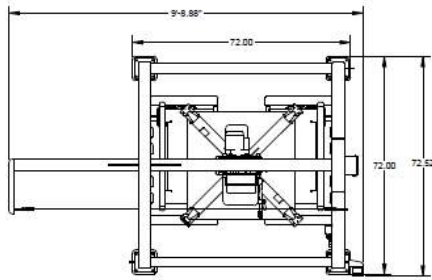
Customer Requested Rate: (1) Bag per hour

Clean Procedure: Dry Wipe Down

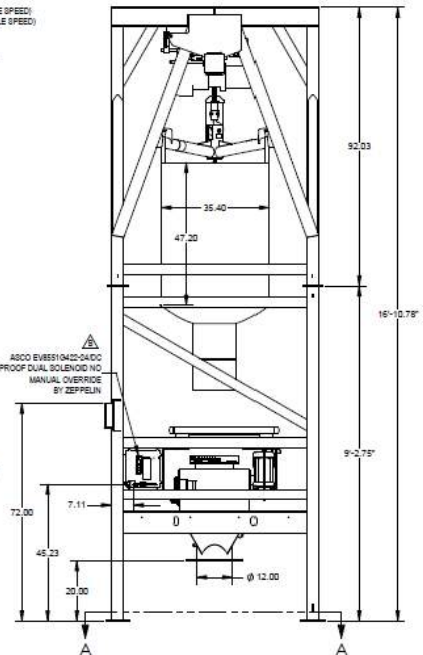
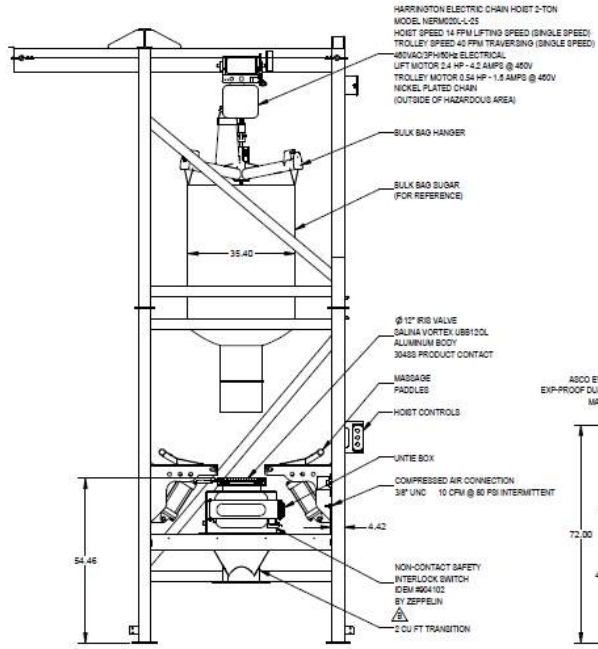
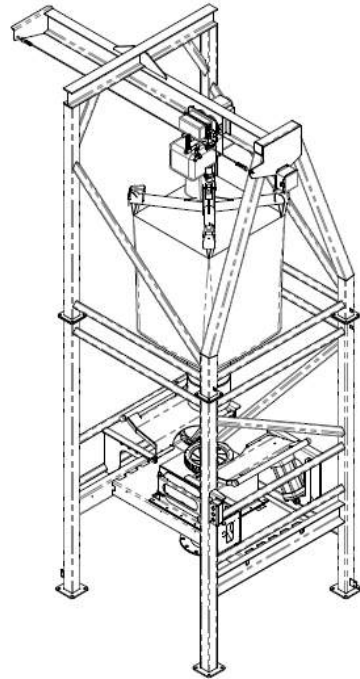
2020 Project Value: \$ 33,500.00

Application Overview:

Customer required (2) Bulk Bag Dischargers to unload sugar and whole wheat at their Brazilian processing plant. The unloading rate requirement for the dischargers was a very low frequency rate of approx. (1) bag per hour and the materials were fairly free flowing. For this reason the NBE Untie Box with Iris Valve and Discharge Transition was selected as the most economical solution. The equipment needed to meet ATEX Zone 22 classification within a 1.5 meter (60") range of the bag spouting dust escape zone. The height of the upper frame permits the hoist to be located outside of the Zone 22 area which allows for the use of a general purpose hoist.



REVISIONS		NAME	DATE
LET	REVISION NOTES	MTR	3/27/2020
A	ISSUED FOR APPROVAL	MTR	1/11/2021
B	UPDATED PER CUSTOMER MARK-UPS	MTR	3/9/2021
C	AS BUILT	MTR	



Material Info: Sugar (Tag # 8810204)
 Bulk Bag Weight: Approx. 1,000 kg (2,245 lbs)
 Bulk Bag Size: Super: 90 cm (35.4") x 90 cm (35.4") x 1.2 meter (47.2") Tall-
 plus 40 cm (15.7") corner loops.

Equipment Location: Sao Paulo, Brazil

Bulk Bag Unloader:
 - Product Contact Surfaces: 304 Stainless Steel
 All stainless steel materials TGA and thinner will be 2B finish
 All stainless steel materials thicker than TGA will be mill finish
 All stainless steel materials tubing and pipe will be mill finish
 - Product Weld Finish: Continuous / Ground Smooth not Necessarily Flush / Passivated
 - Non-Product Contact: Carbon Steel Painted
 - Purchased parts are provided with standard construction finish/paint
 - Non-Contact Weld Finish: Intermittent Welds / Continuous Where Required for Strength / Ground
 to Remove irregularities

* Material Certification is required on Product Contact Surfaces *

- Cleaning Procedure: Dry wipe down
 - Electrical Classification: ATEX Zone 22 (Class II, Division 2) -
 H01E/IEC: Hoist will be located outside hazardous area in General Purpose Non-Classified Area - Per Customer Provided Hazardous Area Map
 - Power Supply: 480V/3ph/60Hz (440VAC/3PH/60Hz is suitable)
 Control Voltage: 24 VDC
 Hoist Control Voltage: 120V/1ph/60Hz (provided by the hoist)
 NEMA 12 Enclosure

NBE CSO # E102010049

APPROX MACHINE WEIGHT EMPTY: 3,200 LBS
 APPROX MACHINE WEIGHT WITH CAPACITY (3,800 LBS) LOAD: 7,000 LBS

APPROVED: PROCEED AS DRAWN	THIS DOCUMENT CONTAINS PROPRIETARY INFORMATION AND IS THE PROPERTY OF NATIONAL BULK EQUIPMENT. ANY REPRODUCTION OR DISSEMINATION OF THIS DOCUMENT IS STRICTLY PROHIBITED. CONTACT: SALES@NBE.COM
APPROVED WITH REVISIONS NOTED	
NOT APPROVED: REVISE AND RESUBMIT	

National Bulk Equipment
 13026 STAINLESS DR., HOLLAND, MICHIGAN 49424
 PHONE: (616) 349-3300 www.nbe-inc.com

DETAILS: CONSULT WITH SUPPLIER		DATE: 3/9/2021	
ASSEMBLY BULK BAG UNLOADER			
SCALE: 1:18	SHEET: 2 OF 8	PROJECT: 100000000	DATE: 3/9/2021
		APP: A287821	C

